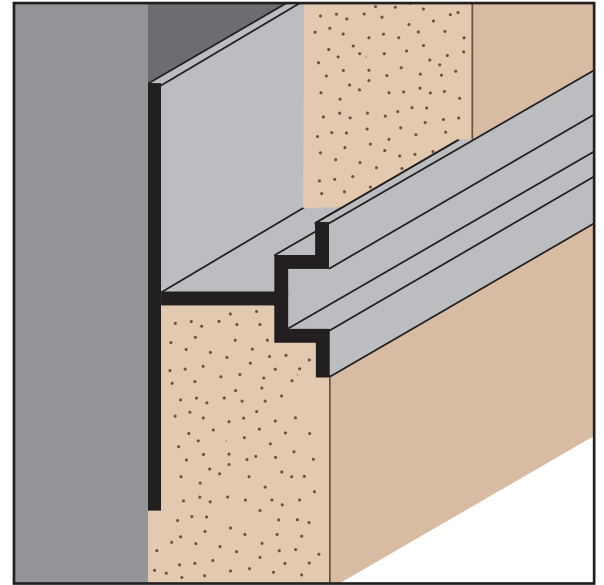
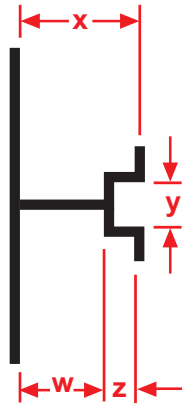
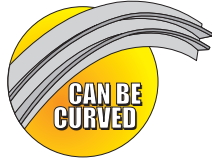




EXTRUDED ALUMINUM

PCS 75-25/25: Plaster Channel Screed 75-25/25

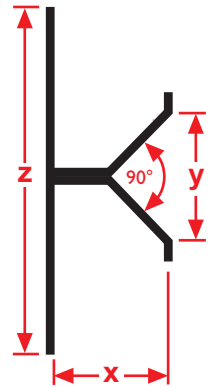
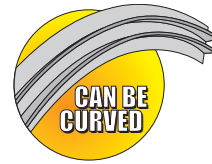
Plaster channel screed with minimal reveal width and ground depth for conditions that require a control joint with a small reveal.



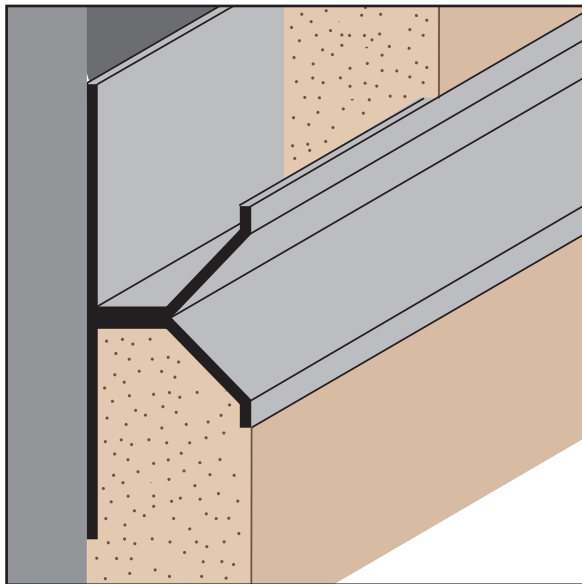
Length	W Size	X Size	Y Size	Z Size
10'	1/2"	3/4"	1/4"	1/4"

PCS 75 Short V: Plaster Channel Screed Short V

A plaster channel screed that creates a unique 90° "V" shaped reveal.

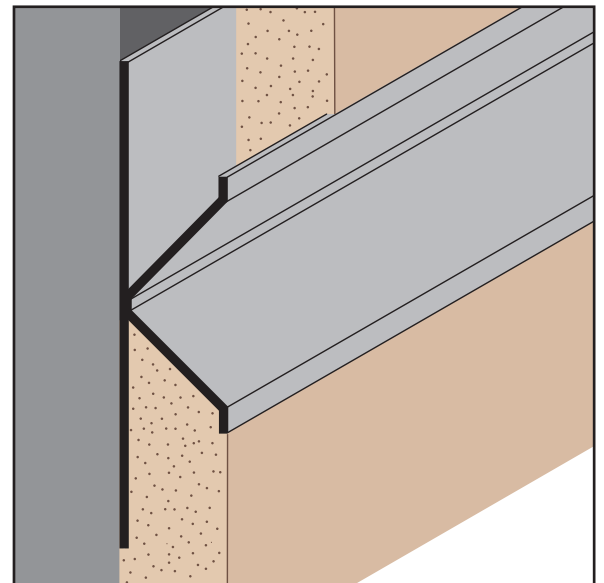
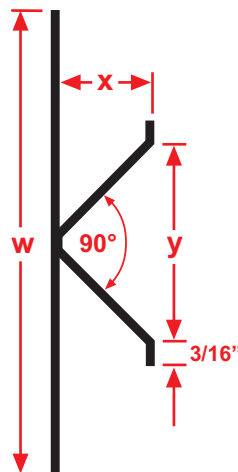
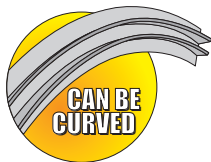


Length	X Size	Y Size	Z Size
10'	1/2"	3/4"	2 7/8"
	3/4"		



PCS 75 Wide V: Plaster Channel Screed Wide V

A plaster channel screed that creates a unique, wide 90° "V" shaped reveal.



Length	W Size	X Size	Y Size
10'	3 5/8"	3/4"	1 1/2"