

EXTRUDED ALUMINUM

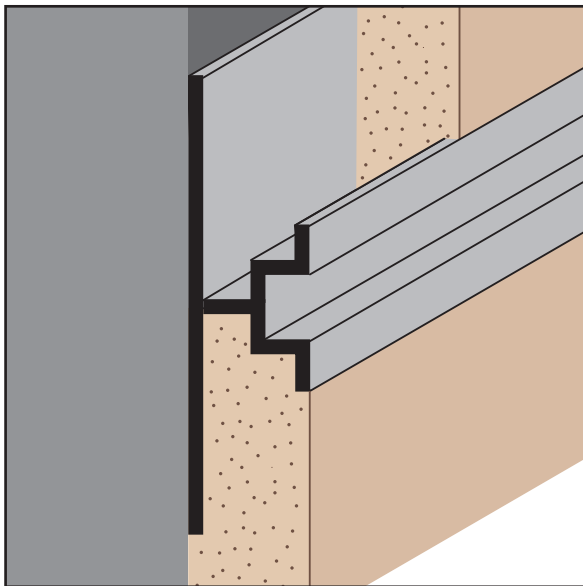
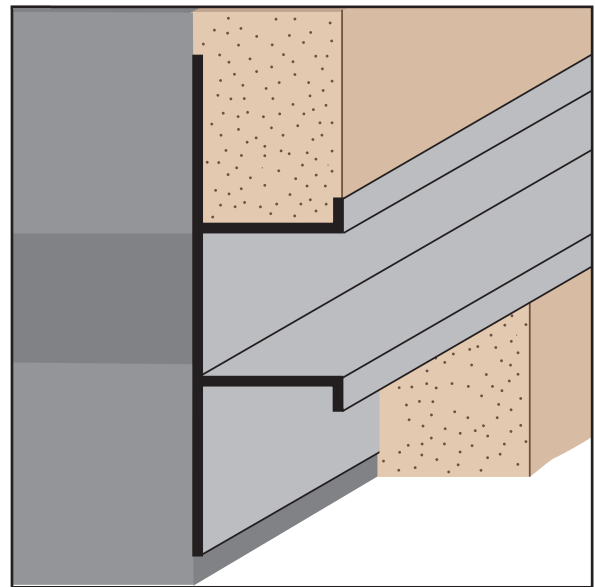
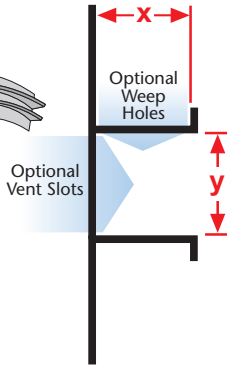
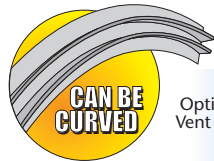


PCS: Plaster Channel Screed

• Available With 1/8" x 1" Vent Slots or No Vents
 A decorative reveal used as a plaster stop/control screed for conventional 3-coat stucco to separate dissimilar materials and/or to create aesthetically pleasing shadow lines on the exterior walls, ceilings and soffits. Available with 1/8" weep holes.

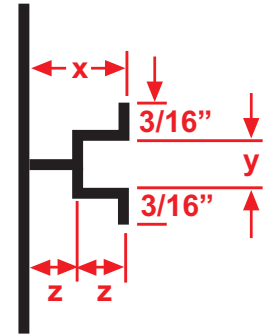
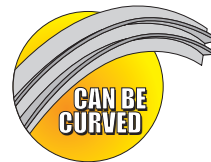
- Note:** *Venting is not available on the 1/2" reveal.
- Note:** **1 1/2" X Size available in 1 1/2" Y Size only.
- Note:** ***Available in 3/4" Y Size only.

| Length | X Size | Y Size |
|--------|-----------|--------|
| 10' | 3/4" | *1/2" |
| | 1" | 3/4" |
| | **1 1/2" | 1" |
| | ***1 3/8" | 1 1/2" |
| | | 2" |
| | | 2 1/2" |
| | | 3" |
| | | 4" |
| | | 6" |



PCS 50-25/25: Plaster Channel Screed 50-25/25

Plaster channel screed with minimal reveal width and ground depth for conditions that require a control joint with a small reveal for 1/2" of stucco over block.



| Length | X Size | Y Size | Z Size |
|--------|--------|--------|--------|
| 10' | 1/2" | 1/4" | 1/4" |

PCS 75-2: Plaster Channel Screed 75-2 Piece

• Available With 1/8" x 1" Vent Slots or No Vents
 A two-piece version of the PCS where a "true" expansion joint is required. In a double stud condition, this molding is typically used in a horizontal condition at floor lines where deflection is an issue. 1/8" weep holes available.

| Length | X Size | Y Size |
|--------|--------|--------|
| 10' | 1/2" | 1/4" |
| | 3/4" | 1/2" |
| | | 3/4" |
| | | 1" |
| | | 2" |

