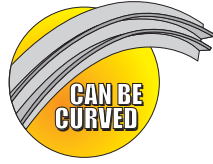




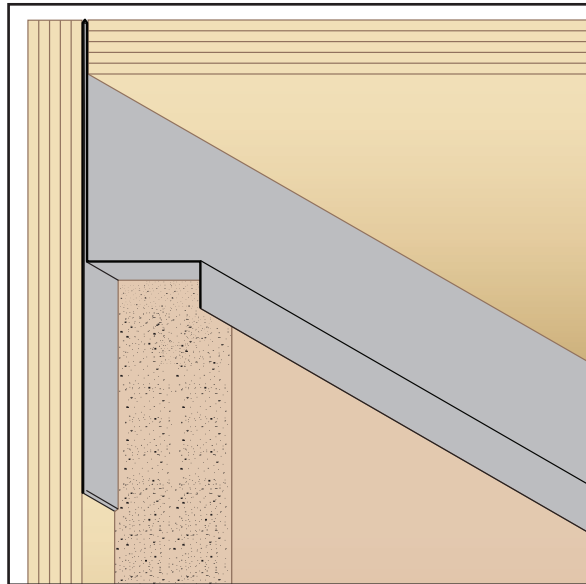
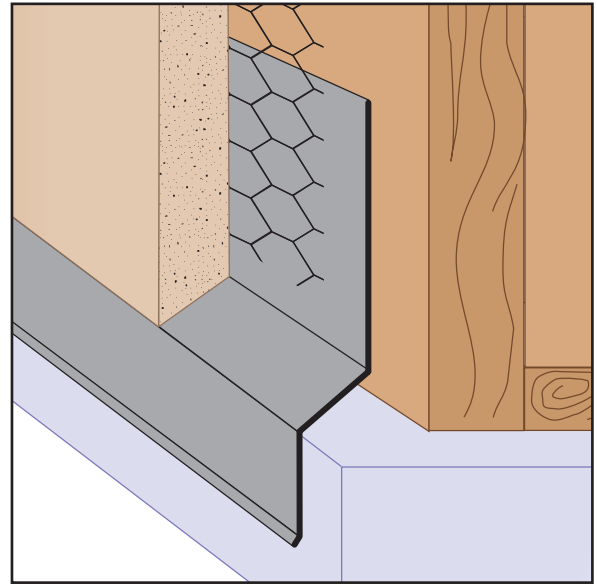
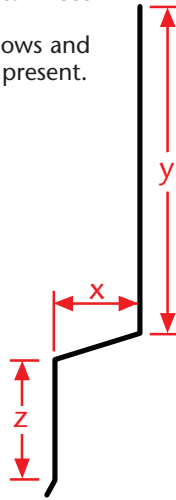
## TSF: Transition Step Flashing

- Available in Copper, Galvanized Steel, Zinc, Stainless Steel or Aluminum

A step flashing that provides a drip edge for top of windows and door conditions or where special flashing conditions are present.



Length	X Size	Y Size	Z Size
10'	1/2"	3 1/2"	1/2"
	3/4"	5"	3/4"
	7/8"		1"
	1"		
	1 3/8"		

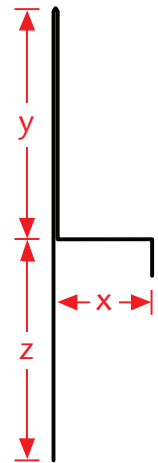


## TWM: T Water-Resistant Molding

- Superior™ Moisture Protection
- SolidGround® Design For Moisture Protection
- Available in Copper, Galvanized Steel, Zinc, Stainless Steel or Aluminum

One-piece SolidGround® design feature mitigates the concern of moisture penetration in a horizontal condition. Provides a plaster stop for top of wall/parapet conditions. SolidGround® design prevents moisture penetration at the top of the wall.

Length	X Size	Y Size	Z Size
10'	1/2"	3/4"	1 3/4"
	3/4"	1"	1"
	7/8"	1 1/2"	1 1/2"
	1"	2"	2"
	1 1/4"	2 1/2"	2 1/2"
	1 3/8"	3"	3"
	1 1/2"		

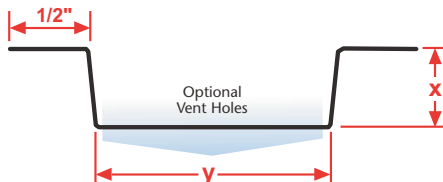


## VHC: Vented Hat Channel

- Available With 1/8", 1/4" Vent Holes or No Vent
- Available in Copper, Galvanized Steel, Zinc, Stainless Steel or Aluminum

This screed offers ventilation while providing a finished, "flush" reveal look. A decorative "flush" reveal for use in a soffit condition.

**Note:** Aluminum is not available with 1/8" vent holes.



Length	X Size	Y Size
10'	1/2"	3/4"
	5/8"	1"
	3/4"	1 1/2"
	7/8"	2"
	1"	2 1/2"
	1 3/8"	3"
		3 1/2"
		4"
		4 1/2"

