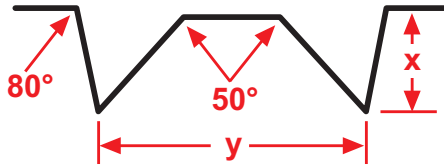




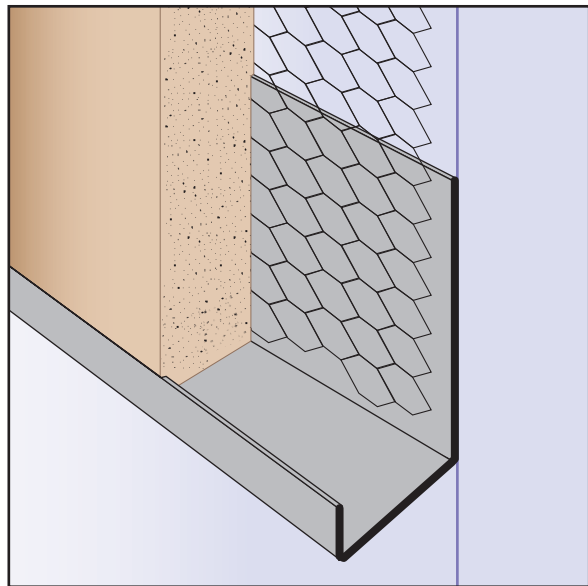
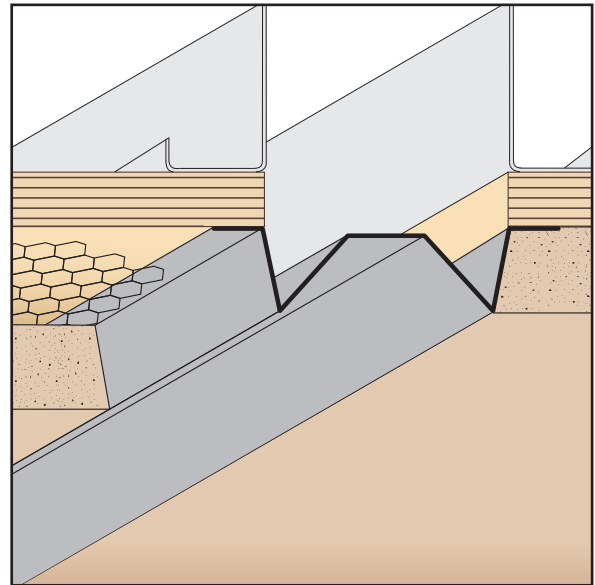
C-G: Chamfer Groove

- Available in Copper, Galvanized Steel, Zinc, Stainless Steel or Aluminum

A unique reveal/control joint for plaster



Length	X Size	Y Size
10'	1/2"	3/4"
	5/8"	1"
	3/4"	1 1/2"
	7/8"	2"
	1"	2 1/2"
	1 3/8"	3"
		3 1/2"
		4"
		4 1/2"

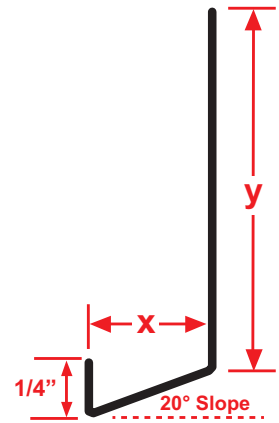


CDB: Casing Drip Bead

- Available in Copper, Galvanized Steel, Zinc, Stainless Steel or Aluminum

A casing bead/plaster stop that creates a unique "angled" look.

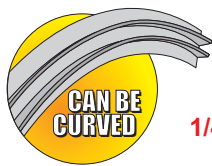
Length	X Size	Y Size
10'	1/2"	1 1/2"
	3/4"	2 1/2"
	7/8"	3 1/2"
	1 3/8"	



CPB: Casing Plaster Bead

- Superior™ Moisture Protection
- Available in Copper, Galvanized Steel, Zinc, Stainless Steel or Aluminum

A plaster stop/casing bead used to terminate the stucco at the base of walls and/or where a plaster stop is required. Has a 60° angle which creates a unique look. Matching factory miter-cut, solid-soldered inside and outside corners are available, giving you moisture management confidence throughout the entire installation.



Length	X Size	Y Size
10'	1/2"	1 1/2"
	3/4"	2 1/2"
	7/8"	3 1/2"
	1"	
1 3/8"		

