

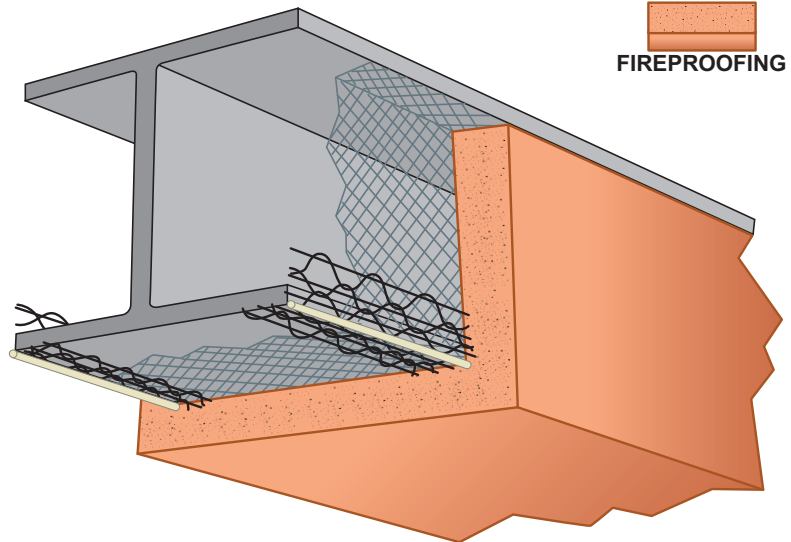


Fireproofing

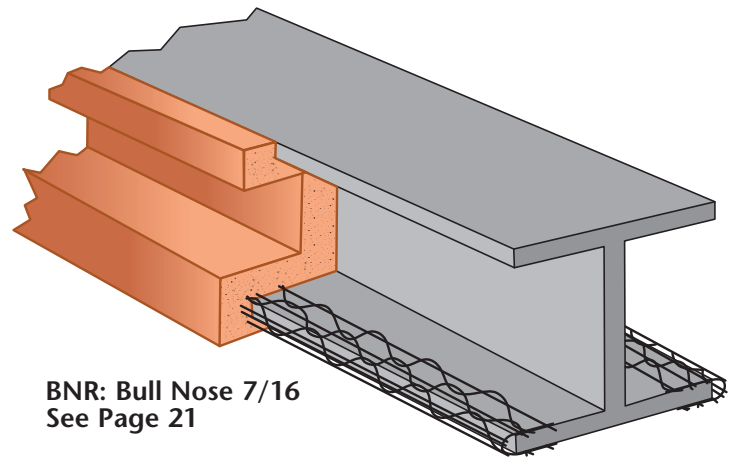
Steel quickly loses its load bearing capacity when exposed to high heat. Consequently, building codes, insurance companies and owners require fire protection on structural steel.

Fireproofing material retards both temperature acceleration and flame spread, thus providing the necessary time for fire fighters to either gain control of a fire or to achieve safe shutdown of key areas in a structure or plant. "Passive" type fireproofing is employed to prevent premature collapse and eliminate extensive property damage.

Fireproofing material is applied to various thicknesses. However, to achieve maximum protection in industrial and commercial settings, appropriate material thickness can only be achieved by way of mechanical reinforcement. **That is provided by Stockton Products' Plastic Nose Cornerbead (PNCB), Plastic Nose Long Flange (PNLF) and Bull Nose (BN) Wire Corners.** The uniqueness of these welded wire corner reinforcements provides for maximum mechanical keys, enabling the fireproofing material to properly adhere to the structure even when being applied at greater than normal thickness. Stockton Products' are used on steel supports for equipment, pipe racks and tower skirts and are effective for irregular shapes, boxed construction and for installation of fire stops on vertical steel members.

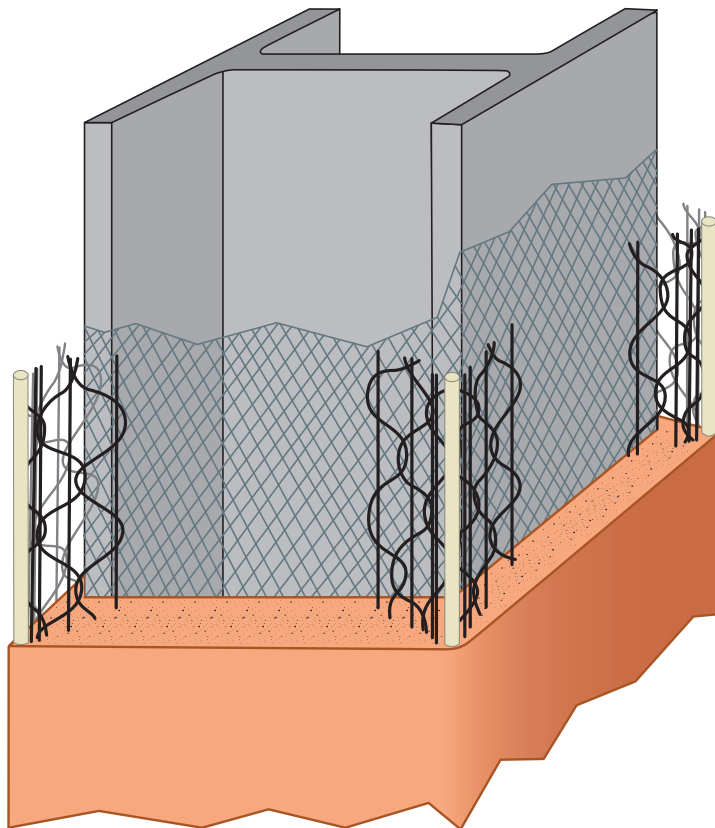


PNLF: Plastic Nose Long Flange
See Page 26



BNR: Bull Nose 7/16
See Page 21

BNR: Bull Nose 7/16
See Page 21



PNCB: Plastic Nose Cornerbead
See Page 25

