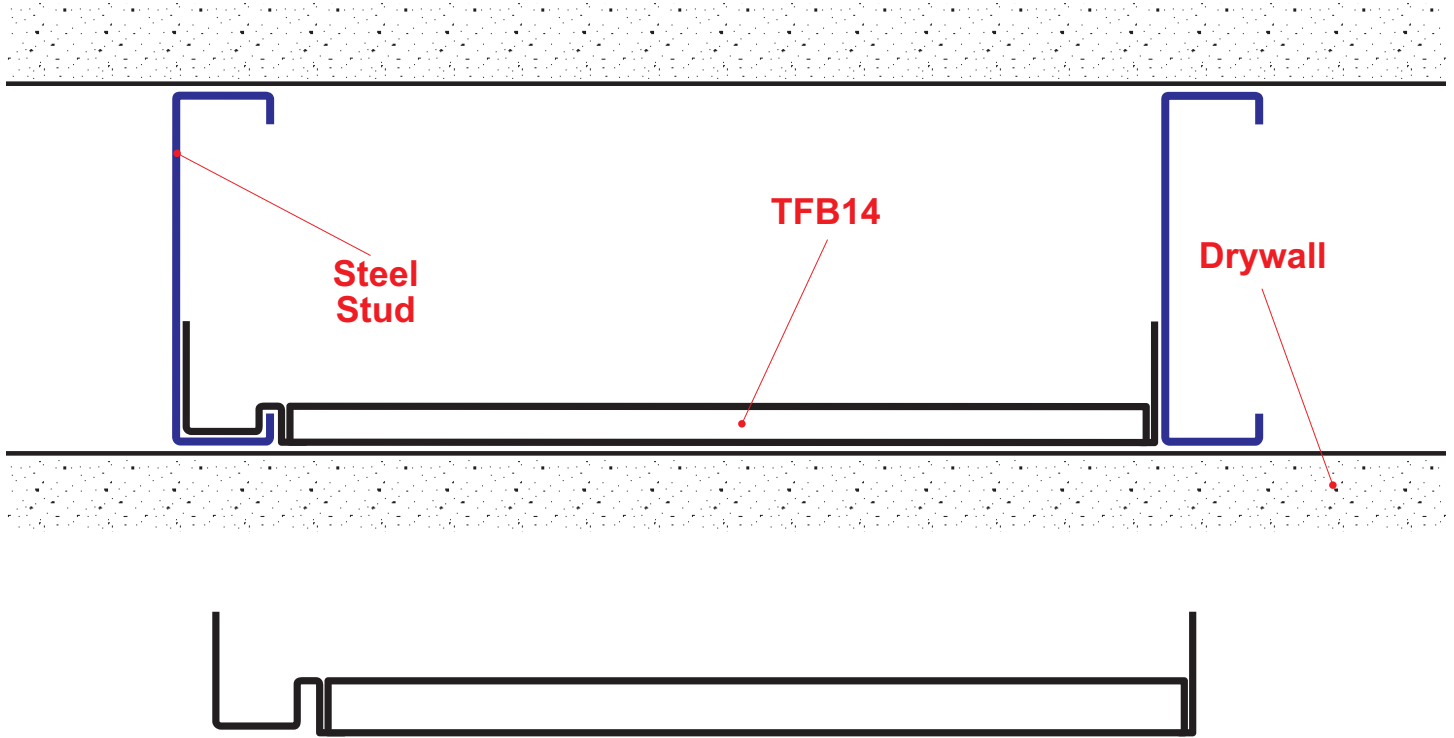


TFB14: TruFlush™ Backing ADA Compliant

Patent Pending



Low profile, return lip backing that provides increased load capacity. TruFlush™ Backing will eliminate build up, drywall cracking and drywall fastener popping. Available in heavy duty 14 gauge galvanized steel for 12", 16" and 24" stud spacing.

NOTE: #12-14 screws are needed for attachment to the studs for the 14 gauge ADA compliant backing for 250# grab bar requirement.

Load Testing Data

The allowable span lengths for the nonstructural steel stud assemblies are based on the limiting span calculated wall at flexural strength, and end reaction strength. Based on the tabular information for both the Fixed TruFlush™ Backing the allowable spans as managed in comparison to common stud spacings of 12", 16", and 24" can be used with in conjunction with all typical stud gauge applications.

Load Testing Data was provided by Intertek Engineering.

14 Gauge Fixed Configuration - Allowable Spans

DP (psf)	Span lengths (in) Based On Strength Vertical Spacing of TruFlush™ Backing			
	16	24	32	48
5	106.9	87.3	75.6	61.7
10	75.6	61.7	53.4	43.6
15	61.7	50.4	43.6	35.6
30	43.6	35.6	30.8	25.2
40	37.8	30.8	26.7	21.8
50	33.8	27.6	23.9	19.5
60	30.8	25.2	21.8	17.8

Note: This drawing is supplied solely to assist in the selection and application of product manufactured by Stockton Products. This drawing is generic in nature and should not be used in design or construction without an independent evaluation by a qualified Architect or Engineer of Record.