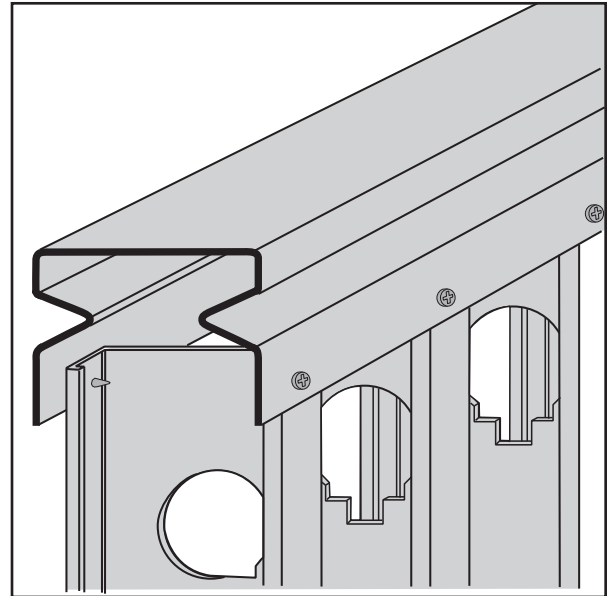





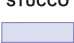








1-87-STOCKTON
 FAX: (702) 651-0948
 office@stocktonproducts.com
 FaceBook.com/stocktonproducts
 www.StocktonProducts.com

FLT: Flexible Trak

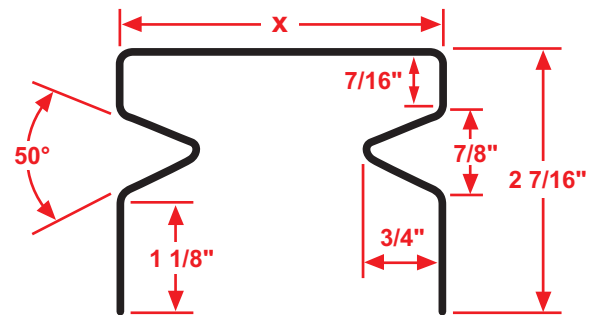
- 20 Gauge Galvanized Steel Only
 Flexible Trak is designed for non-load bearing and partition walls to reduce cracking caused by ceiling deflection.



KEY

-  PLASTER/STUCCO
-  CONCRETE
-  PLYWOOD
-  WOOD
-  FOAM
-  WATERPROOF BARRIER
-  WALL SHEATHING
-  DRYWALL
-  DRYWALL MUD
-  FIBER CEMENT

Length	X Size
10'	3 5/8"
	4"
	6"



Materials:

- Galvanized Steel (20-gauge G90)

ASTM Codes:

- A924 (Galvanized Coating)

Note: Standard length is 10 feet.
 Additional lengths available upon request.

