



PRODUCTS™

1-87-STOCKTON

FAX: (702) 651-0948

office@stocktonproducts.com

FaceBook.com/stocktonproducts

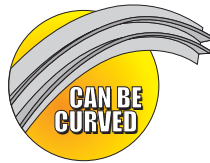
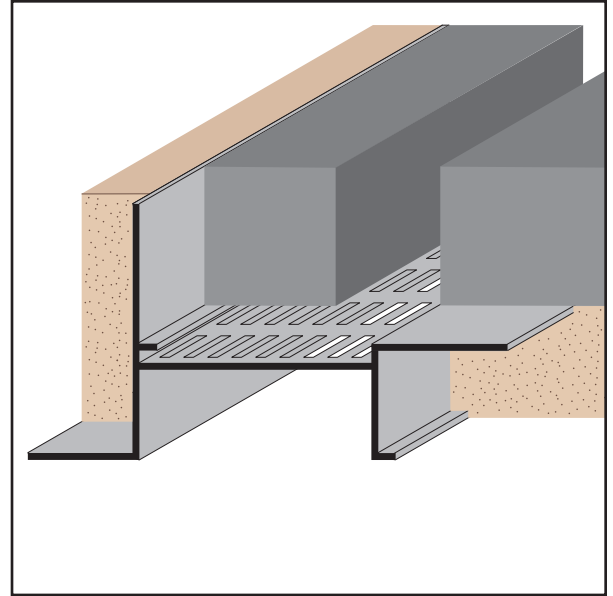
www.StocktonProducts.com

DS300: Drip Screed 3" Reveal

- Available With 1/8" x 1" Vent Slots or No Vents

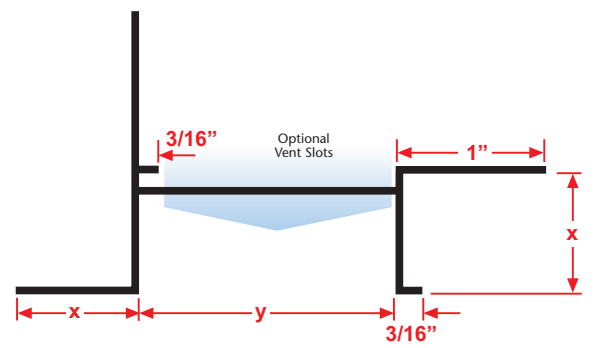
An aesthetically pleasing drip screed for conventional 3-coat stucco that functions as a plaster stop/drip edge and creates a reveal at the fascia/soffit corner condition.

Note: Available vented. Non-vented is a special order. Please contact factory for details.



KEY	
	PLASTER/STUCCO
	CONCRETE
	PLYWOOD
	WOOD
	FOAM
	WATERPROOF BARRIER
	WALL SHEATHING
	DRYWALL
	DRYWALL MUD
	FIBER CEMENT

Length	X Size	Y Size
10'	7/8"	3"



Materials:

- Aluminum Alloy (6063 T-5)

Note: Standard length is 10 feet. Additional lengths available upon request.

ASTM Codes:

- B136 (Anodize Coating)
- B244 (Anodize Coating)
- C1063 (Accessories)
- D4214 (Paint Films)
- B221-14 (Aluminum)

