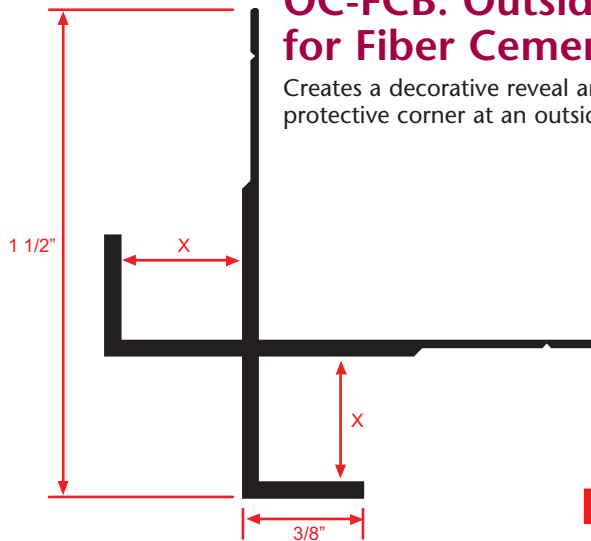




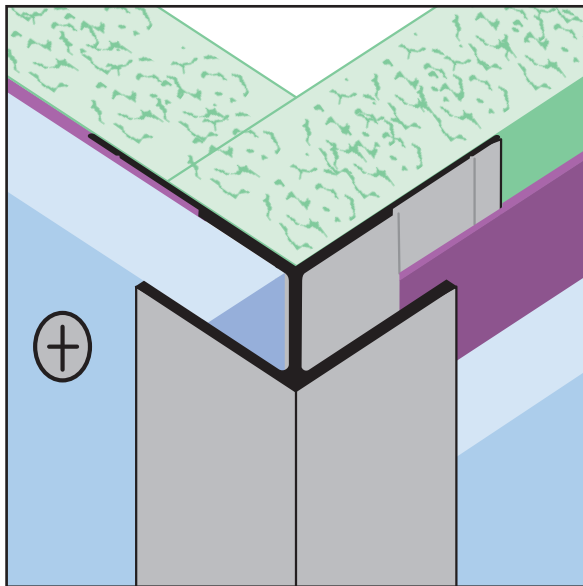
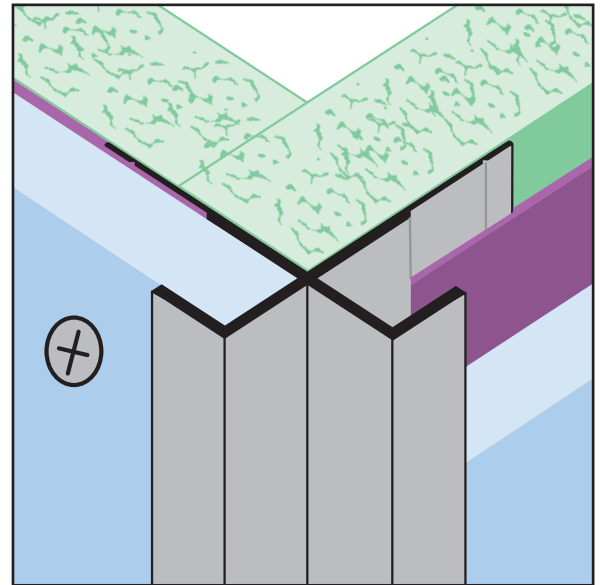
EXTRUDED ALUMINUM

OC-FCB: Outside Corner for Fiber Cement Board

Creates a decorative reveal and a high strength protective corner at an outside corner condition.



Length	X Size
10'	3/8"

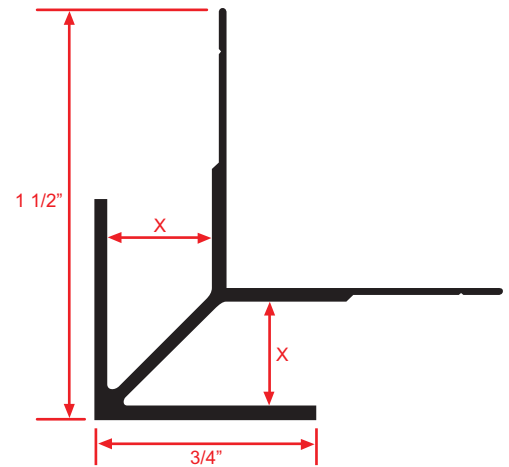


OCG-FCB: Outside Corner Guard for Fiber Cement Board

Creates a decorative high strength corner at an outside corner condition.

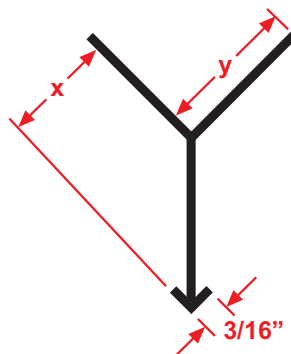
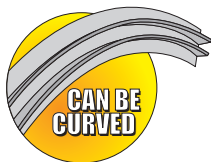


Length	X Size
10'	3/8"



PCM: Plaster Corner Molding

Creates a plaster stop and high strength corner for conventional 3-coat stucco with an aesthetically pleasing exposed edge at all outside corner conditions.



Length	X Size	Y Size
10'	3/4"	7/8"
		1 5/8"

