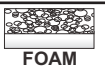
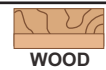
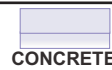


EXTRUDED ALUMINUM

KEY

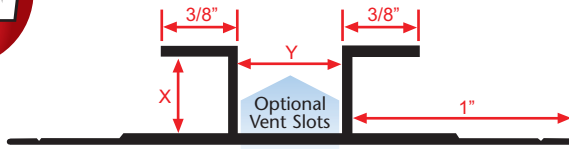


CR-FCB: Channel Reveal for Fiber Cement Board

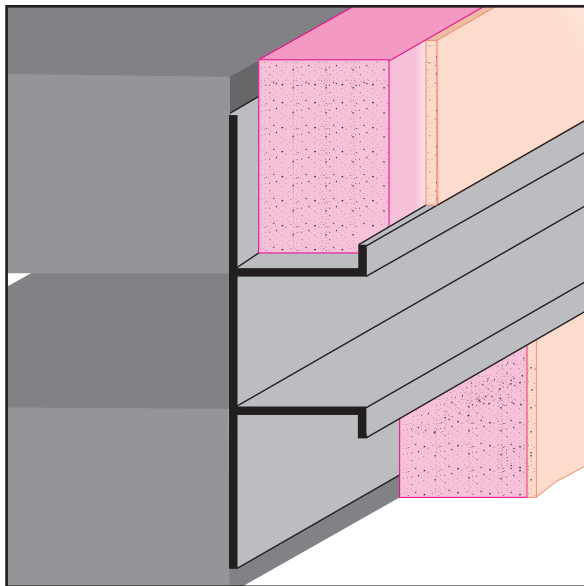
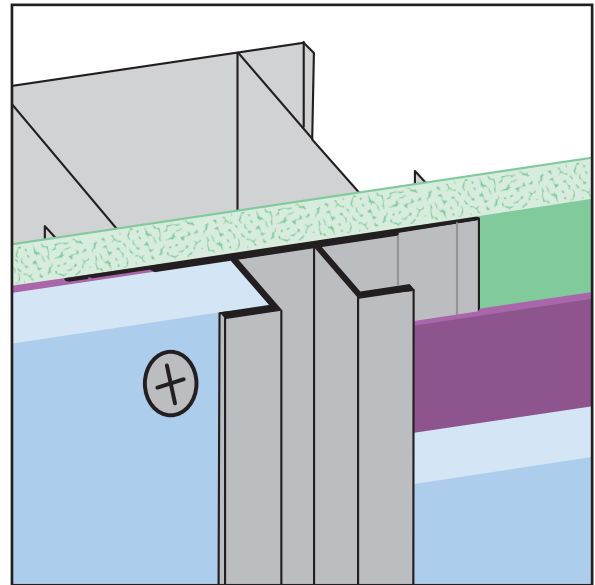
- Available Vented or No Vents

A decorative reveal used to create an aesthetically pleasing vertical accent between panels. Available vented for soffit venting requirements.

Note: Do not use in a horizontal condition.



Length	X Size	Y Size
10'	3/8"	1/2"



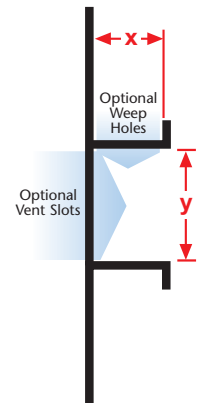
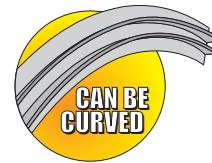
DCS: Drywall Channel Screed

- Available With 1/8" x 1" Vent Slots or No Vents

Drywall version of the plaster channel screed used to create a decorative reveal & to separate dissimilar materials. Used with one-coat stucco and direct applied systems. Available with 1/8" weep holes.

Length	X Size	Y Size
10'	1/2"	1/2"
	*5/8"	3/4"
		1"
		1 1/2"
		2"
		3"
		4"

*Not available with a 1 1/2" Y size.



DCS 50-2: Drywall Channel Screed 50 - 2 pc.

- Available With 1/8" x 1" Vent Slots or No Vents

A two-piece version of the DCS series molding that provides 1/4" +/- movement where a "true" expansion joint is required. Used for stucco over block or when only a 1/2" depth is required.

Length	X Size	Y Size
10'	1/2"	1/4"
	3/4"	1/2"
		3/4"
		1"
		1 1/2"
		2"

