



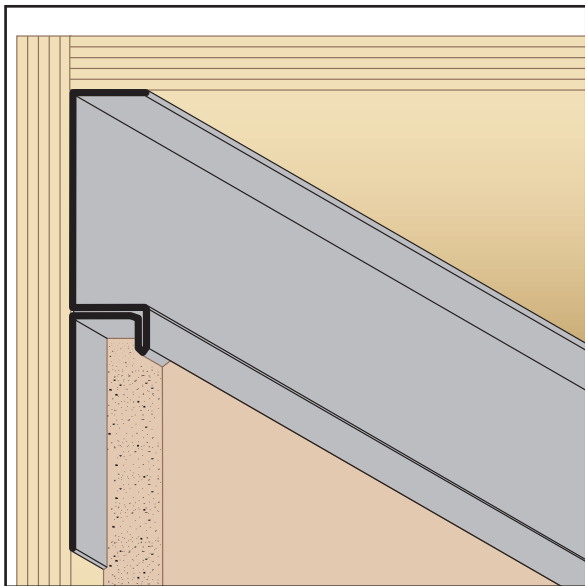
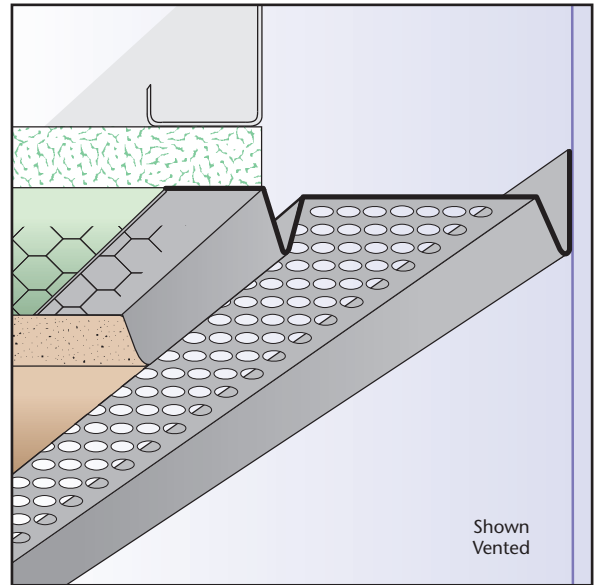
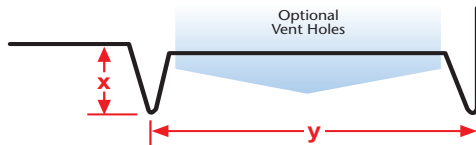
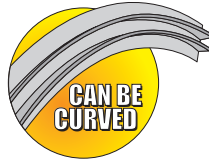
FVM: F Vent Mold

- Available With 1/8", 1/4" Vent Holes or No Vent
- Available in Copper, Galvanized Steel, Zinc, Stainless Steel or Aluminum

F-vent designed to butt against walls on one side with an extended attachment flange providing perimeter airflow. Available non-vented for use as a decorative reveal upon request.

Note: Aluminum is not available with 1/8" vent holes.

Length	X Size	Y Size
10'	5/8"	3/4"
	3/4"	1"
	7/8"	1 1/2"
	1"	2"
	1 3/8"	2 1/2"
		3"
		3 1/2"
		4"

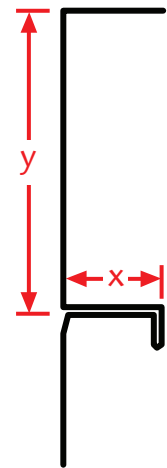


FWC: F Water-Resistant Channel

- Superior™ Moisture Protection
- SolidGround® Design For Moisture Protection
- Available in Copper, Galvanized Steel, Zinc, Stainless Steel or Aluminum

One-piece design feature mitigates the concern of moisture penetration in a horizontal application. Matching factory miter-cut, solid-soldered inside and outside corners are available, giving you moisture management confidence throughout the entire installation.

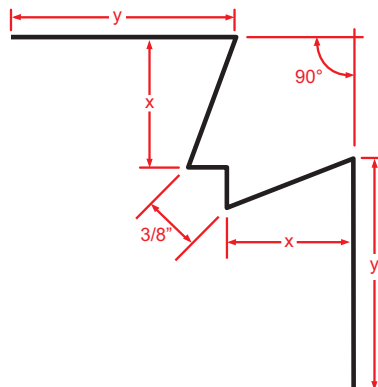
Length	X Size	Y Size
10'	5/8"	1/2"
	3/4"	3/4"
	7/8"	1"
	1"	1 1/2"
	1 1/4"	2"
	1 3/8"	



ICR: Inside Corner Reveal

- Available in Copper, Galvanized Steel, Zinc, Stainless Steel or Aluminum

Use this product when needing a straight, clean inside edge (control joint) at a vertical or horizontal corner providing a straight edge decorative reveal. Provides a decorative reveal at an inside corner condition.



Length	X Size	Y Size
10'	1/2"	1 1/2"
	5/8"	
	3/4"	
	7/8"	
	1"	

