

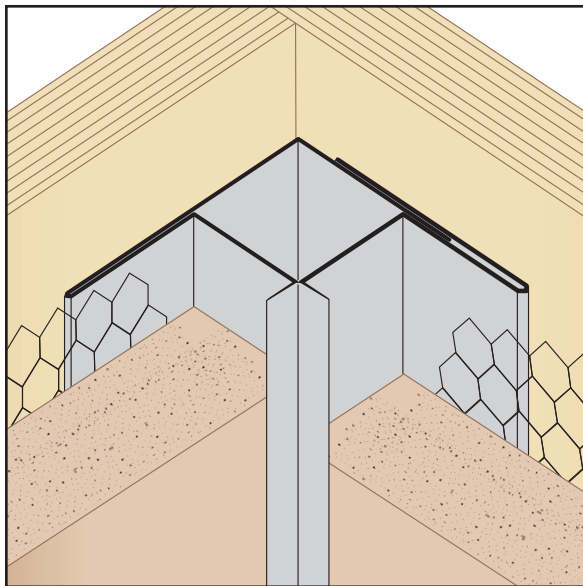
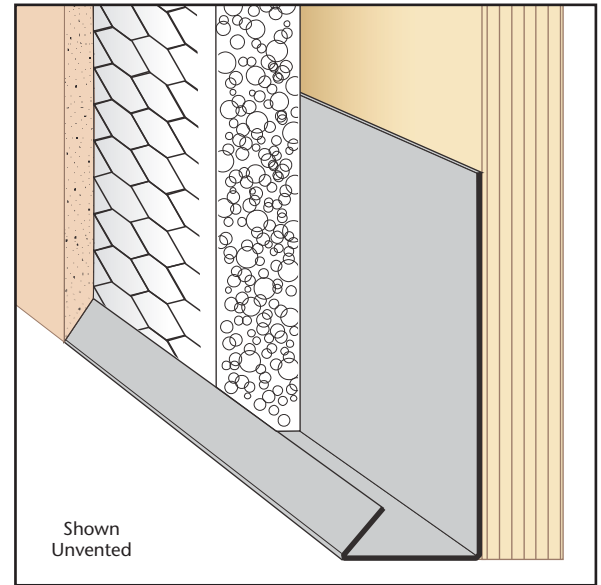
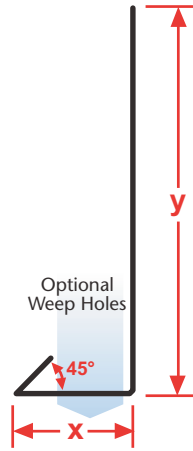


## CSB: Casing Starter Bead

- Superior™ Moisture Protection
- Available With 1/8", 1/2" Weep Holes or No Holes
- Available in Copper, Galvanized Steel, Zinc, Stainless Steel or Aluminum

A stop used as a starting track for EIFS systems. Matching factory miter-cut, solid-soldered inside and outside corners are available, giving you moisture management confidence throughout the entire installation.

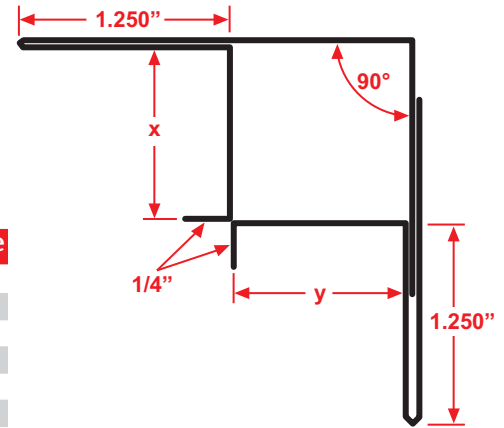
Length	X Size	Y Size
10'	3/8"	1 1/2"
	1/2"	2"
	5/8"	3 1/2"
	3/4"	
	7/8"	
	1"	
	1 1/8"	
	1 1/4"	
	1 3/8"	
	1 1/2"	
	1 5/8"	
	1 3/4"	
	2"	
	2 1/2"	



## CSJ: Corner Slip Joint - 2 pc.

- Available in Copper, Galvanized Steel, Zinc, Stainless Steel or Aluminum
- Designed to facilitate movement at an inside corner condition.

Length	X Size	Y Size
10'	1/2"	3/8"
	5/8"	1/2"
	3/4"	5/8"
	7/8"	3/4"
	1"	7/8"
		1"



## CTM: Corner Transition Mold

- Available With 1/8", 1/2" Weep Holes or No Holes
- Available in Copper, Galvanized Steel, Zinc, Stainless Steel or Aluminum

A plaster stop used in various applications to finish an edge or bridge when using dissimilar materials. Can be used to support acoustical tile or to case off windows.

Length	X Size	Y Size
10'	1/2"	1"
	5/8"	2"
	3/4"	3"
	7/8"	
	1"	
	1 3/8"	

