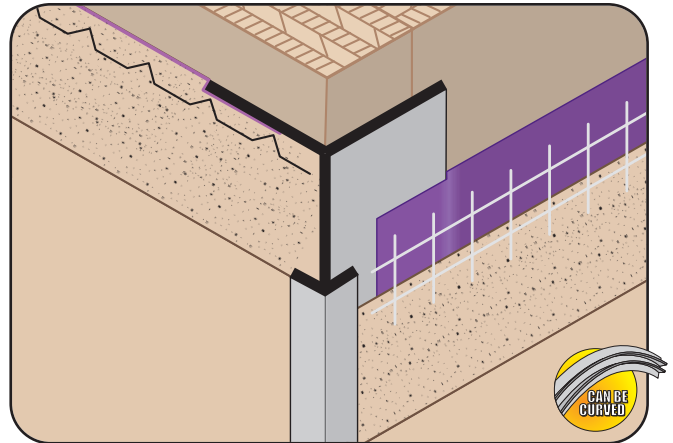


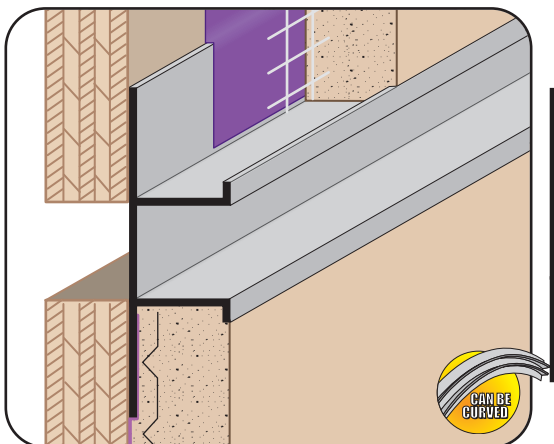
OCT-FCP: Outside Corner Transition for FCP

- Available in Aluminum Alloy (6063 T-5)
- The OCT-FCP Outside Corner Transition molding creates a straight and true, outside corner with exposed flanges that cover the vertical ends of the fiber cement panels. Provides a transition from a single fiber cement panel to two layers of lap siding.
- Note:** Not to be used in horizontal applications. Attach panel per manufacturer's recommended installation instructions.



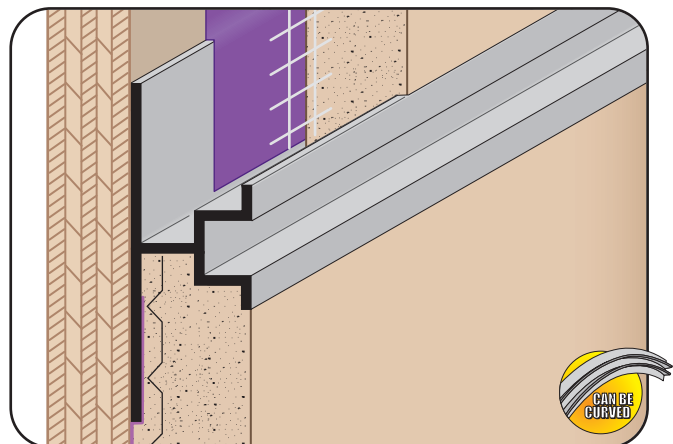
PCM: Plaster Corner Molding

- Available Curved Upon Request
 - Available in Aluminum Alloy (6063 T-5)
- Creates a plaster stop and high strength corner for conventional 3-coat stucco with an aesthetically pleasing exposed edge at all outside corner conditions.



PCS: Plaster Channel Screed

- Available With 1/8" x 1" Vent Slots or No Vents
 - Available With 1/8" Weep Holes Slots or No Weep Holes
 - Available Curved Upon Request
 - Available in Aluminum Alloy (6063 T-5)
- A decorative reveal used as a plaster stop/control screed for conventional 3-coat stucco to separate dissimilar materials and/or to create aesthetically pleasing shadow lines on the exterior walls, ceilings and soffits.
- Note:** Venting is not available on the 1/2" reveal.



PCS 50-25/25: Plaster Channel Screed 50-25/25

- Available Curved Upon Request
 - Available in Aluminum Alloy (6063 T-5)
- Plaster channel screed with minimal reveal width and ground depth for conditions that require a control joint with a small reveal for 1/2" of stucco over block.