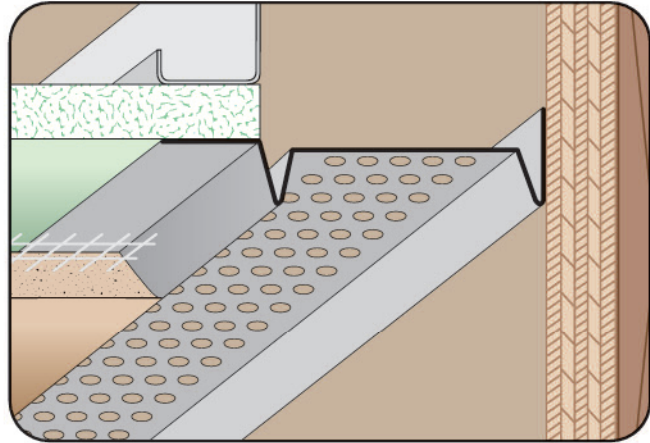


FTM: Fascia Transition Mold

- Available With 1/8", 1/4" Vent Holes or No Vent
 - Available With 1/8" Weep Holes or No Weep Holes
 - Available in Aluminum, Copper, Galvanized Steel, Bonderized, Galvalume®, Stainless Steel or Zinc
- Creates a fascia/soffit transition providing a small overhang to prevent moisture from migrating back to the soffit surface. Prevents water staining on plaster by creating a drip edge. Can be vented for perimeter airflow into space above the soffit.

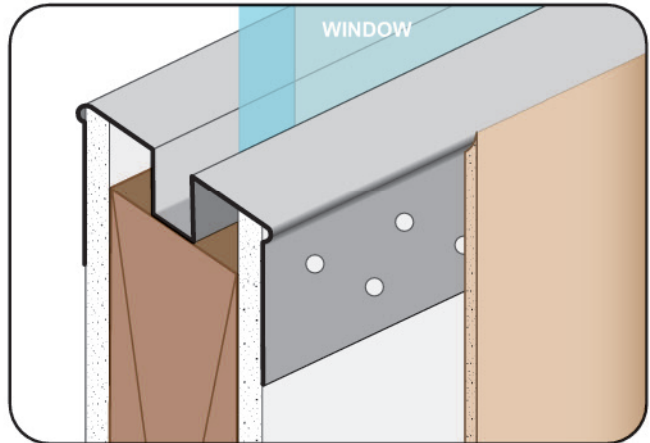
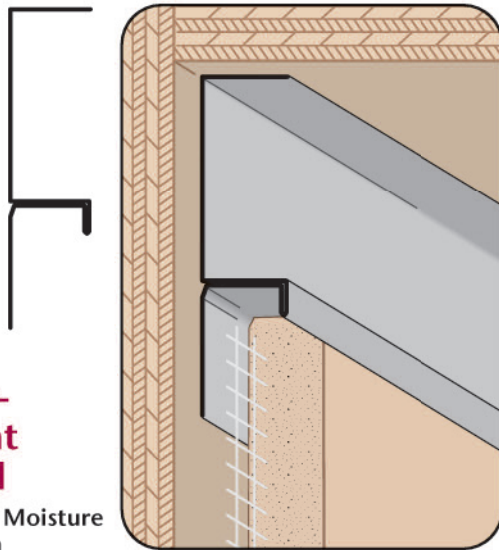


FVM: F Vent Mold

- Available With 1/8", 1/4" Vent Holes or No Vent
 - Available Curved Upon Request
 - Available in Aluminum, Copper, Galvanized Steel, Bonderized, Galvalume®, Stainless Steel or Zinc
- F-vent designed to butt against walls on one side with an extended attachment flange providing perimeter airflow. Available non-vented for use as a decorative reveal upon request.

**FWC:
F Water-Resistant Channel**

- Superior™ Moisture Protection
 - SolidGround® Design For Moisture Protection
 - Available in Aluminum, Copper, Galvanized Steel, Bonderized, Galvalume®, Stainless Steel or Zinc
- One-piece design feature mitigates the concern of moisture penetration in a horizontal application. Matching factory miter-cut, solid-soldered inside and outside corners are available, giving you moisture management confidence throughout the entire installation.



GECX: Glazing End Cap

- Available Anodized, PaintLoc (PTL) or Jet Kote (JTC) Finished
 - Available in Aluminum
- Used as an end cap to hold glass. Standard length is 10 foot. The GECX Glazing End Cap has holes in the taping flange for keying the drywall mud.
- Note:** Reveal width depends on glass thickness. Please specify Z dimensions width and depth of reveal.

