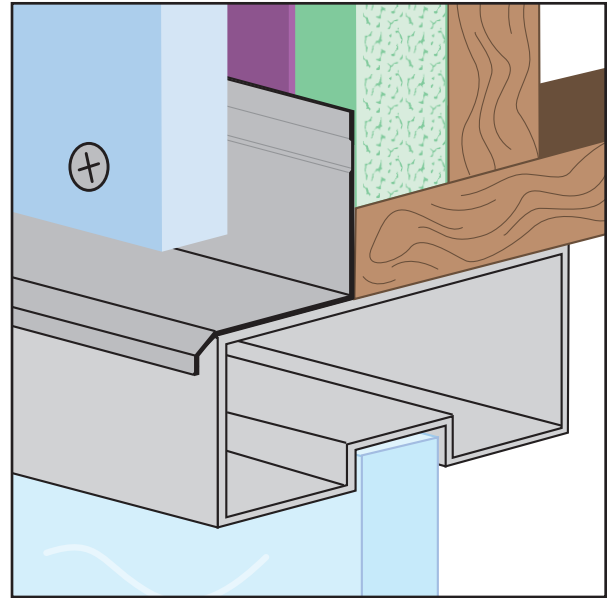




**1-87-STOCKTON**  
 FAX: (702) 651-0948  
 office@stocktonproducts.com  
 FaceBook.com/stocktonproducts  
 www.StocktonProducts.com

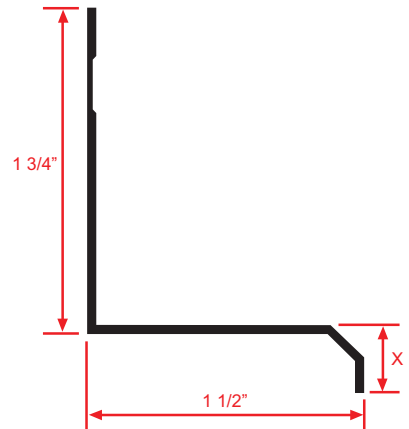
## WHD-FCB: Window Head Drip for Fiber Cement Board

A multi-use drip molding that can be used at window and door heads, as well as at the foundation.



KEY	
	PLASTER/STUCCO
	CONCRETE
	PLYWOOD
	WOOD
	FOAM
	WATERPROOF BARRIER
	WALL SHEATHING
	DRYWALL
	DRYWALL MUD
	FIBER CEMENT

Length	X Size
10'	3/8"



### Materials:

- Aluminum Alloy (6063 T-5)

**Note:** Standard length is 10 feet.  
 Additional lengths available upon request.

### ASTM Codes:

- B136 (Anodize Coating)
- B244 (Anodize Coating)
- C1063 (Accessories)
- D4214 (Paint Films)
- B221-14 (Aluminum)

