



PRODUCTS™

1-87-STOCKTON

FAX: (702) 651-0948

office@stocktonproducts.com

FaceBook.com/stocktonproducts

www.StocktonProducts.com

## PNFFA: Plastic Nose Fireproofing FormAid™

**PATENT  
PENDING**

**NEW**

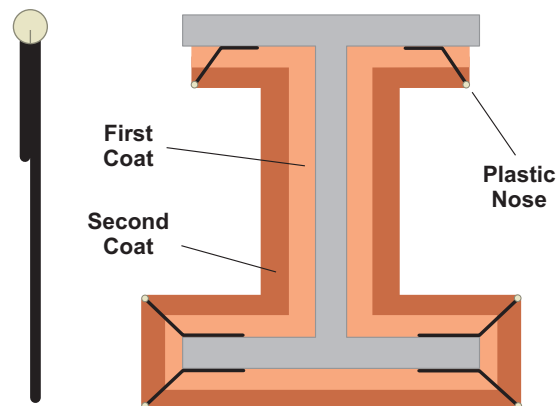
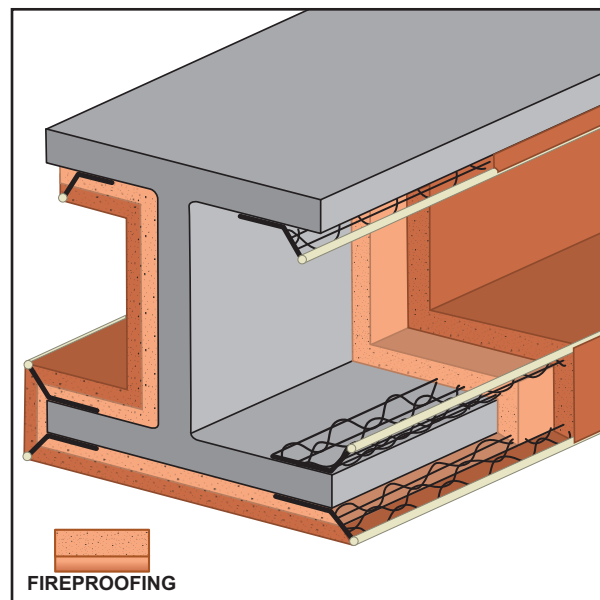
Stockton Products is pleased to introduce FormAid, a new Patent Pending special single leg version of our welded wire Plastic Nose Cornerbead used in the fireproofing process. Designed specifically to aid in forming a contour design when fireproofing beams, columns or other steel members. FormAid's unique single leg design can also be adjusted in the field to achieve any angle desired, eliminating much of the need for costly wood forms, saving money, material, time and labor in the forming process.

**Note:** Available in standard 10' lengths, limited custom lengths and pre-bent angles are available by special order. Please call Stockton Products with your specific request.

**Note:** Product shipped flat.

**Galvanized:** 10PNFFA

Length	Feet Per Carton
10 Ft.	300 Ft./Ctn.



### Materials:

- Galvanized (17.5 Gauge Wire)  
G-60 Coating

**Note:** Standard length is 10 feet.  
Additional lengths available upon request.

FormAid™ is sold exclusively through  
our master dealer, Carboline Co.  
1-800-848-4645

### ASTM Codes:

- A641/A641M (Galvanized Wire)
- A653/A653M (Galvanized Coating)
- A924 (Galvanized Steel)
- C1063

©2017 Stockton Products. All rights reserved worldwide. CornerAid®, WeepAid®, Pozalite®, ArchAid®, StockAid®, EmberStop®, BugStop®, SolidGround®, Tru-Corner®, Superior Moisture Protection™ and FormAid™ are all trademarks of Stockton Products™.

