



PRODUCTS™

1-87-STOCKTON

FAX: (702) 651-0948

office@stocktonproducts.com

FaceBook.com/stocktonproducts

www.StocktonProducts.com

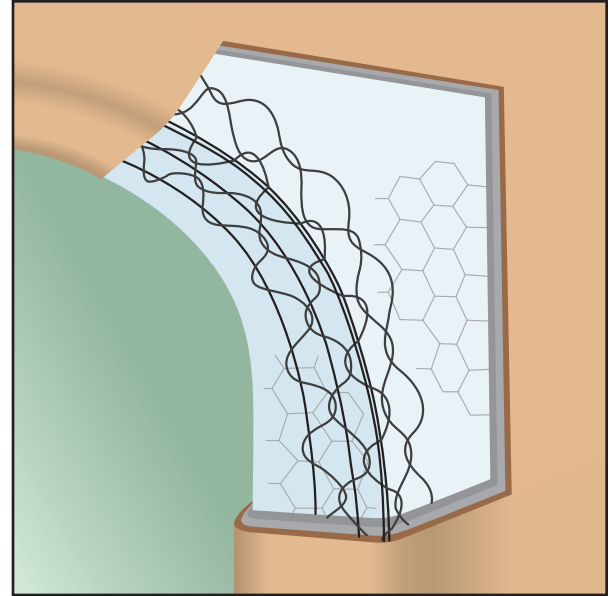
## BNAA: Bullnose ArchAid®

- Available In 7/16" and 7/8" Radius

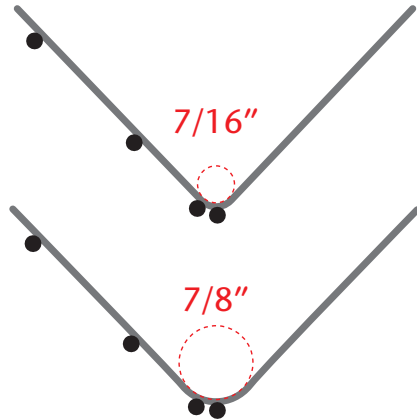
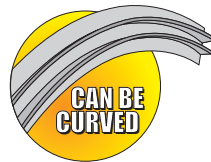
This smooth, round arch is designed with one rigid and one flexible leg for tailoring to the curve. It has standard 2 3/8" legs. Available in both 7/16" (ping pong ball size) and 7/8" (tennis ball size) radius. Available in stainless steel to be used with absolute confidence in high humidity and salt air environments.

**Galvanized:** 10BNAA716 (7/16"),  
10BNAA78 (7/8")

**Stainless Steel:** 10SSBNAA716 (7/16"),  
10SSBNAA78 (7/8")



Length	Feet Per Carton
10 Ft.	400 Ft./Ctn.



### Materials:

- Galvanized (17.5 Gauge Wire)  
G-60 Coating
- Stainless Steel (17.5 Gauge Wire)  
316L Stainless 18% Chromium

**Note:** Standard length is 10 feet.  
Additional lengths available upon request.

### ASTM Codes:

- A580/A580M (Stainless Steel)
- A641/A641M (Galvanized Wire)
- A653/A653M (Galvanized Coating)
- A924 (Galvanized Steel)
- C1047 (Drywall)
- C1063 (Accessories)
- C1063 (Accessories)
- C841 (Interior Furring & Lathing)

©2016 Stockton Products. All rights reserved worldwide. CornerAid®, WeepAid®, Pozalite®, ArchAid®, StockAid®, EmberStop®, BugStop®, SolidGround®, Tru-Corner® and Superior Moisture Protection™ are all trademarks of Stockton Products™.

