



**SPECIAL SIZES AVAILABLE!**

Contact Stockton Custom Fabrication at (877) 786-2587

**EXTRUDED**

## VLI-FCP: Vertical Lap Insert for Fiber Cement Panel

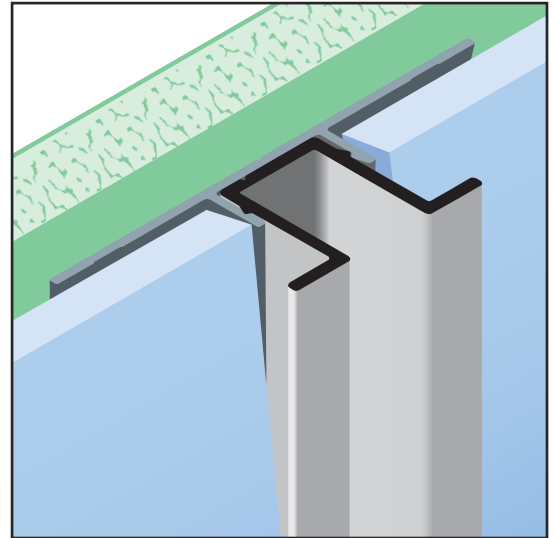
- Available in Aluminum Alloy (6063 T-5)

The VLI-FCP Vertical Lap Insert creates an architectural 1/2" reveal when used with the VR-FCP Vertical Retainer.

**Note:** Attach panel per manufacturer's recommended installation instructions.

**Note:** Not to be used in horizontal applications.

**Note:** The VR-FCP Retainer is sold separately, see page 128.

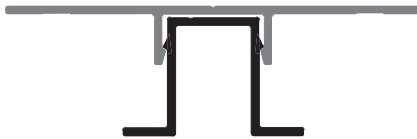
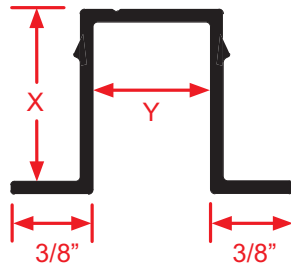


### Most Common Sizes

**X Sizes:** 3/4"

**Y Sizes:** 1/2"

**Length:** 10'



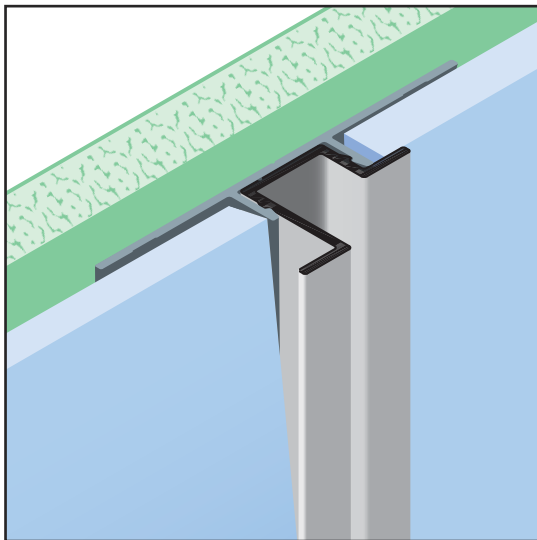
### Most Common Part Numbers:

**VLI FCP375 50EC** VLI-FCP: X=3/8, Y=1/2, Clear Anod, AL, 10'

**VLI FCP375 50** VLI-FCP: X=3/8, Y=1/2, AL, 10'

**VLI FCP375 50EK** VLI-FCP: X=3/8, Y=1/2, Fluorophore Paint, AL, 10'

**VLI FCP375 50ES** VLI-FCP: X=3/8, Y=1/2, Stripped Finish, AL, 10'



## VO-FCP: Vertical Offset Insert for Fiber Cement Panel

- Available in Aluminum Alloy (6063 T-5)

The VO-FCP Vertical Offset Insert creates an attractive 1/2" architectural reveal when used in conjunction with the VR-FCP Vertical Retainer. This is an excellent molding for the transition from a single layer of fiber cement panels to lap siding.

**Note:** Attach panel per manufacturer's recommended installation instructions.

**Note:** Not to be used in horizontal applications.

**Note:** The VR-FCP Retainer is sold separately, see page 128.

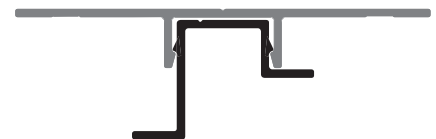
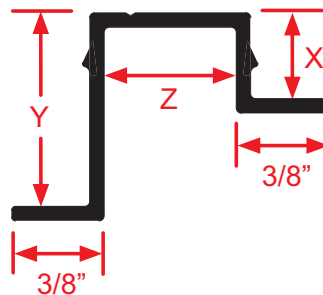
### Most Common Sizes

**X Sizes:** 3/8"

**Y Sizes:** 3/4"

**Z Sizes:** 1/2"

**Length:** 10'



### Most Common Part Numbers:

**VO FCP375 75 50E** VO-FCP: X=3/8, Y=3/4, Z=1/2, Mill Finish, AL, 10'

**VO FCP375 75 50EC** VO-FCP: X=3/8, Y=3/4, Z=1/2, Clear Anodize, AL, 10'

**VO FCP375 75 50EDB** VO-FCP: X=3/8, Y=3/4, Z=1/2, Dark Bronze, AL, 10'

**VO FCP375 75 50SEP** VO-FCP: X=3/8, Y=3/4, Z=1/2, Powder Coated, AL, 10'