



SPECIAL SIZES AVAILABLE!

Contact Stockton
Custom Fabrication
at (877) 786-2587

EXTRUDED

PCS 75 Short V: Plaster Channel Screed Short V

- Available Curved Upon Request
- Available in Aluminum Alloy (6063 T-5)

A plaster channel screed that creates a unique 90° "V" shaped reveal.

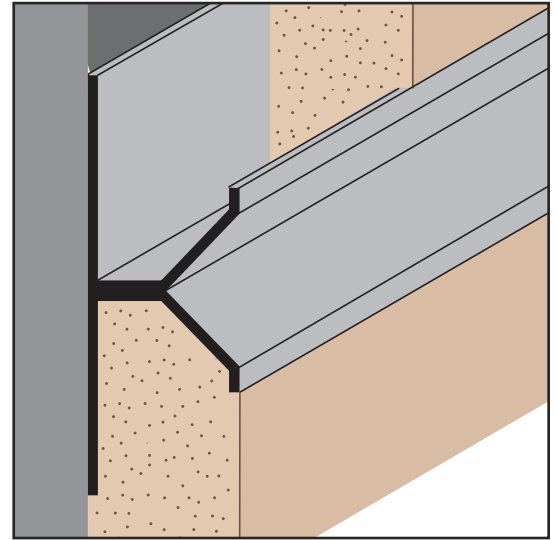
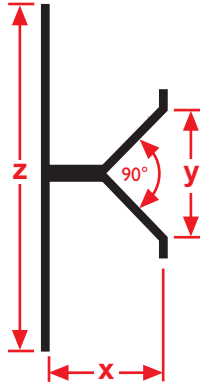
Most Common Sizes

X Sizes: 1/2" or 3/4"

Y Sizes: 3/4"

Z Sizes: 2 7/8"

Length: 10'



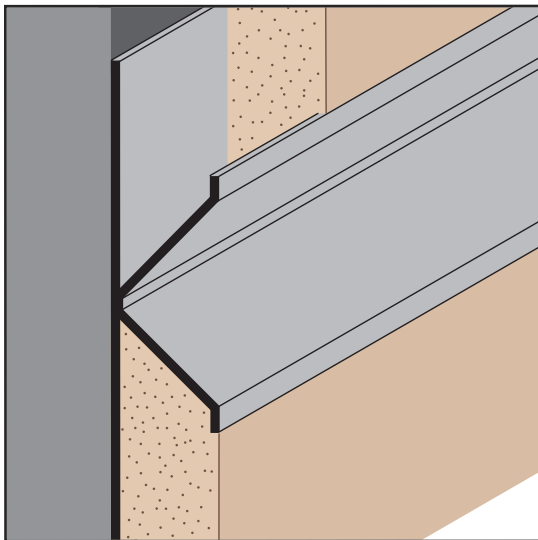
Most Common Part Numbers:

PCS75SHORTV25 75 2875EC PCS 75 Short V: X=1/2, Y=3/4, Z=2 7/8, Clear Anodize, AL, 10'

PCS75SHORTV75 75 2875EK PCS 75 Short V: X=1/2, Y=3/4, Z=2 7/8, Fluorophore Paint, AL, 10'

PCS75SHORTV25 75 2875E PCS 75 Short V: X=3/4, Y=3/4, Z=2 7/8, Mill Finish, AL, 10'

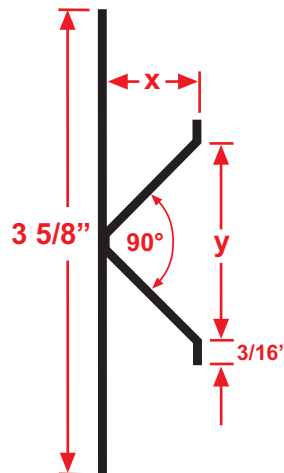
PCS75SHORTV25 75 2875EPC PCS 75 Short V: X=1/2, Y=3/4, Z=2 7/8, Powder Coat, AL, 10'



PCS 75 Wide V: Plaster Channel Screed Wide V

- Available Curved Upon Request
- Available in Aluminum Alloy (6063 T-5)

A plaster channel screed that creates a unique, wide 90° "V" shaped reveal.



Most Common Sizes

X Sizes: 3/4"

Y Sizes: 1 1/2"

Length: 10'



Most Common Part Numbers:

PCS75WIDEV75 150EC PCS 75 Short V: X=3/4, Y=1 1/2, Clear Anodize, AL, 10'

PCS75WIDEV75 150ES PCS 75 Short V: X=3/4, Y=1 1/2, Stripped Finish, AL, 10'

PCS75WIDEV75 150EK PCS 75 Short V: X=3/4, Y=1 1/2, Fluorophore Paint, AL, 10'

PCS75WIDEV75 150EPC PCS 75 Short V: X=3/4, Y=1 1/2, Powder Coat, AL, 10'