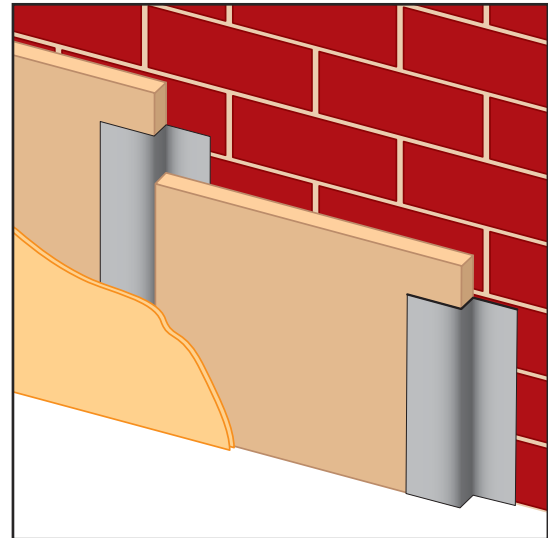


Z-B/LP: Z-Bar Low Profile

- Special Sizes Available, Contact Customer Service For Details
 - Available in Aluminum (A), Copper (C), Galvanized Steel (GS), Bonderized (BN), Galvalume® (GVM), Stainless Steel (SS) or Zinc (Z)
- (See Our Materials Guide For Details, Page 40)

Stockton's Custom Z-Bar Low Profile features a 1/4" step. The small tight Z provides the opportunity to use thinner materials when the project calls for it. Provides rigid insulation and attachment of insulation, drywall or veneer to the interior of masonry walls. Z-Bars are generally used vertically to hold a cover materials against a wall to prevent dampness or resurface with a difference material.

Note: 1/4" center dimension is up to 16ga Galvanized Steel G-60 max.

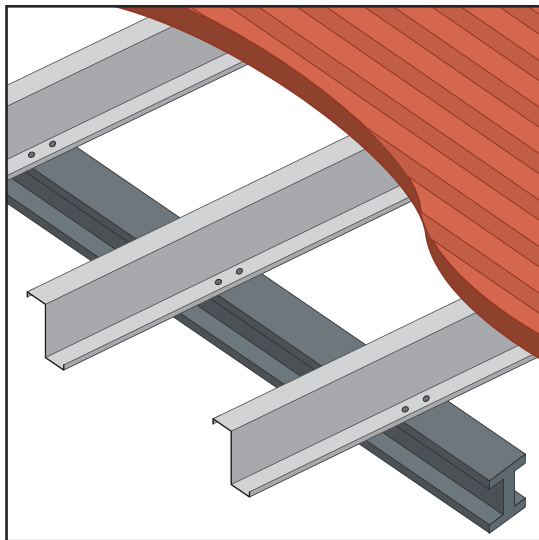
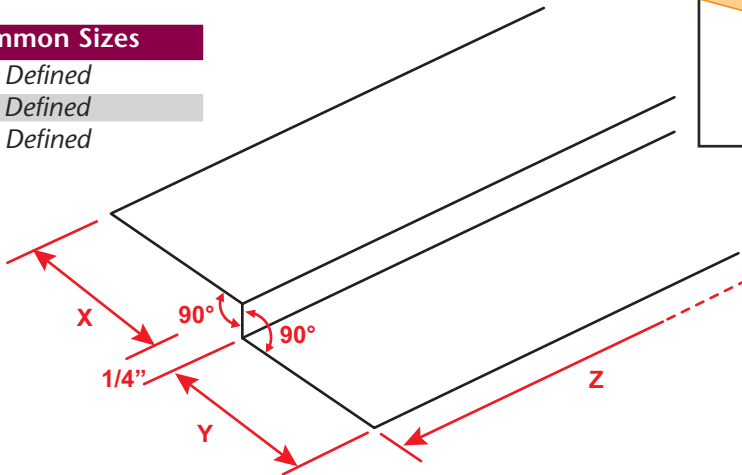


Most Common Sizes

X Sizes: User Defined

Y Sizes: User Defined

Z Sizes: User Defined



Z-P: Z-Purlin

- Special Sizes Available, Contact Customer Service For Details
 - Available in Galvanized Steel (GS)
- (See Our Materials Guide For Details, Page 40)

Z-Purlin typically refers to roof framing members that span parallel to the building eave and support the roof decking or sheeting. The Z-Purlins are supported by the roofs cross beams or walls.

Most Common Sizes

X Sizes: User Defined

Y Sizes: User Defined

Length: User Defined

