



SPECIAL SIZES AVAILABLE!

Contact Stockton Custom Fabrication at (877) 786-2587

METAL

SBW: Santa Barbara Weep Scred™

- Special Sizes Available, Contact Customer Service For Details
- Available With or Without 1/4" Weep Holes
- Available in Aluminum (A), Copper (C), Galvanized Steel (GS), Bonderized (BN), Galvalume® (GVM), Stainless Steel (SS) or Zinc (Z)

(See Our Materials Guide For Details, Page 40)

A unique one piece weep screed design that combines the features of a traditional foundation weep screed while providing an aesthetically pleasing look. The upper leg has a plaster stop with a 1/4" closed hem for safety and weep holes.

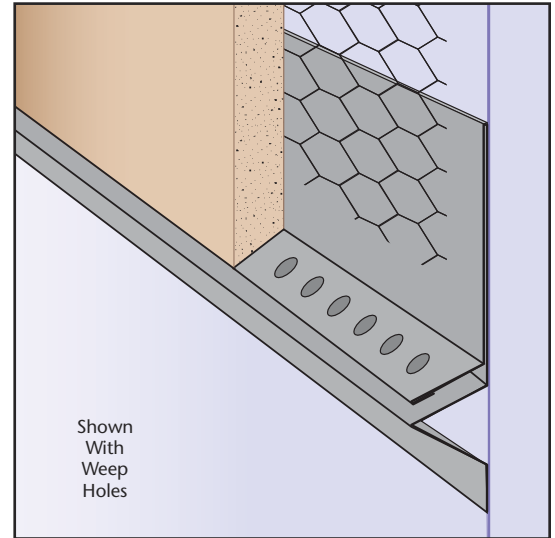
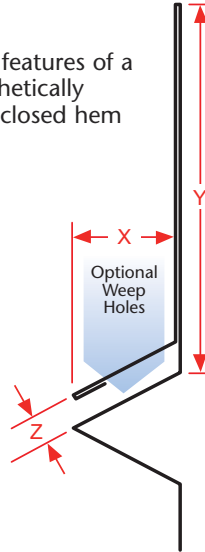
Most Common Sizes

X Sizes: 3/4", 7/8", 1" or 1 3/8"

Y Sizes: 1/4"

Z Sizes: 1/4"

Length: 120"



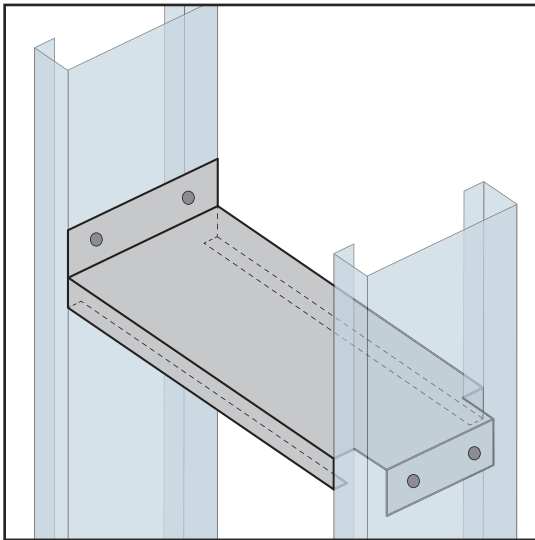
Most Common Part Numbers:

SBW078W300 014L SBW: X=7/8, 1/2 Weep, Y=3, Z=1/4, GS, 10'

SBW078W300 014LSS SBW: X=7/8, 1/2 Weep, Y=3, Z=1/4, GS, 10', SS, 10'

SBW078W314 014J SBW: X=7/8, 1/4Weep, Y=3 1/4, Z=1/4, GS, 10', GS, 10'

SBW138W314 014JZ SBW: X=1 3/8, 1/4 Weep, Y=3 1/4, Z=1/4, GS, 10', Z, 10'



SBX: Stud Blocking

- Special Sizes Available, Contact Customer Service For Details
 - Available in 3 5/8", 4", 6" And 8" Standard Widths
 - Available in Galvanized Steel (GS)
- (See Our Materials Guide For Details, Page 40)

The Stud Blocking provides horizontal bracing for studs and joists. Designed for 12", 16", and 24" stud layouts with a precut flange to fit between the studs for easy installation. Provides full bearing between the wall stud webs along the shear wall and prevention load transfer issues.

Most Common Sizes

X Sizes: 3 5/8", 4", 6" or 8"

Y Sizes: 12", 16" or 24"

Z Sizes: 1 5/8"

