

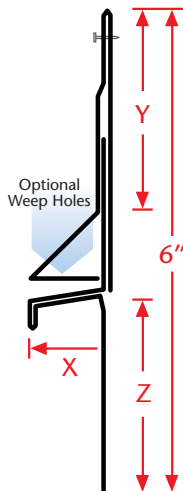
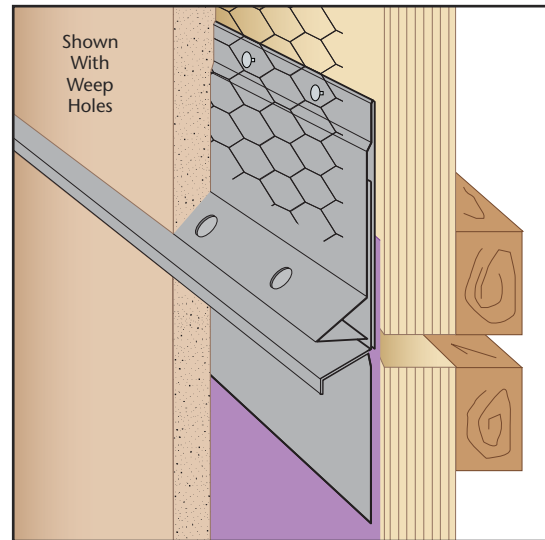


MSX: M-Slide Expansion Joint™ - 2 Piece

- Special Sizes Available, Contact Customer Service For Details
 - Superior Moisture Protection™
 - SolidGround® Design For Moisture Protection
 - Available With 1/4" Weep Holes or No Holes
 - Available in Aluminum (A), Copper (C), Galvanized Steel (GS), Bonderized (BN), Galvalume® (GVM), Stainless Steel (SS) or Zinc (Z)
- (See Our Materials Guide For Details, Page 40)

The dual function self-aligning expansion joint provides movement capability at floor line while allowing moisture to release from the top ground and lock out moisture from the bottom. Special "Step" on the attachment leg provides a locator for correct placement of the fasteners and helps keep the molding laying flat on the wall. Provides 1" of vertical movement.

US Patent 7,673,421 B2



Most Common Sizes

X Sizes: 5/8", 3/4", 7/8", 1 3/8" or 1 1/2"

Y Sizes: 2 1/2", 3" or 3 1/2"

Z Sizes: 2 1/2", 3" or 3 1/2"

Length: 120"



Most Common Part Numbers:

MSX034 300 300 MSX: X=3/4, Y=3, Z=3, GS, 10'

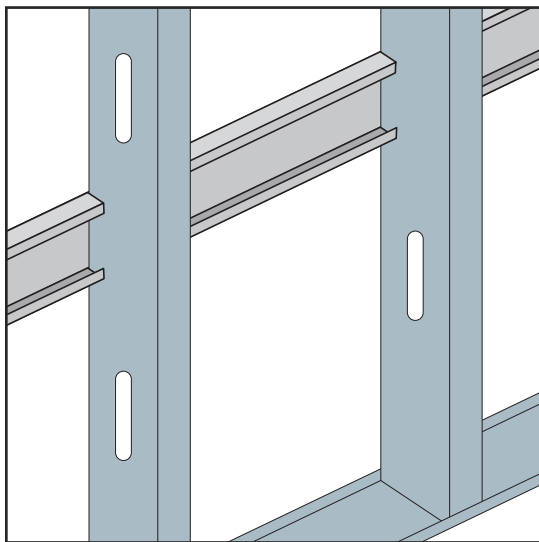
MSX078 212 212 MSX: X=7/8, Y=2 1/2, Z=2 1/2, GS, 10'

MSX078 300 300 MSX: X=7/8, Y=3, Z=3, GS, 10'

MSX078 312 312 MSX: X=7/8, Y=3 1/2, Z=3 1/2, GS, 10'

MSX078W312 312J MSX: X=7/8, 1/4 Weep, Y=3 1/2, Z=3 1/2, GS, 10'

MSX118 312 312 MSX: X=1 1/8, Y=3 1/2, Z=3 1/2, GS, 10'



N-S: Notched Stud

- Special Sizes Available, Contact Customer Service For Details
 - Available in Galvanized Steel (GS)
- (See Our Materials Guide For Details, Page 40)

Similar to Notched Track, our Notched Stud is used for floor joist blocking or horizontal backing in walls to allow support mounting various items to the walls. The major difference is Notched Stud features additional structural support to provide a strong mounting surface.

Most Common Sizes

X Sizes: User Defined

Y Sizes: User Defined

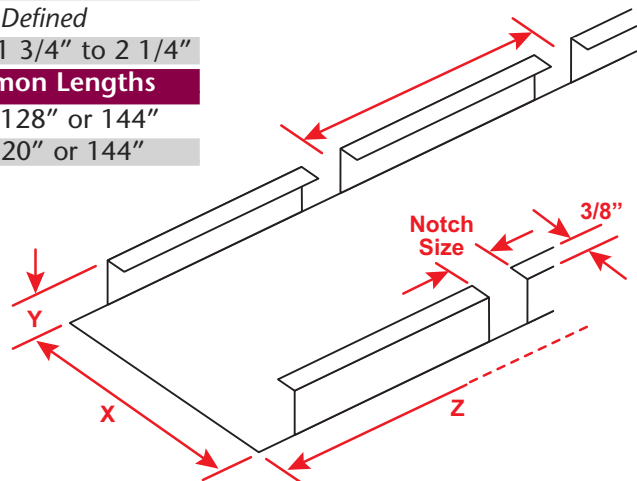
Z Sizes: User Defined

Notch Size: 1 3/4" to 2 1/4"

Most Common Lengths

Z=16": 112", 128" or 144"

Z=24": 96", 120" or 144"



NEW