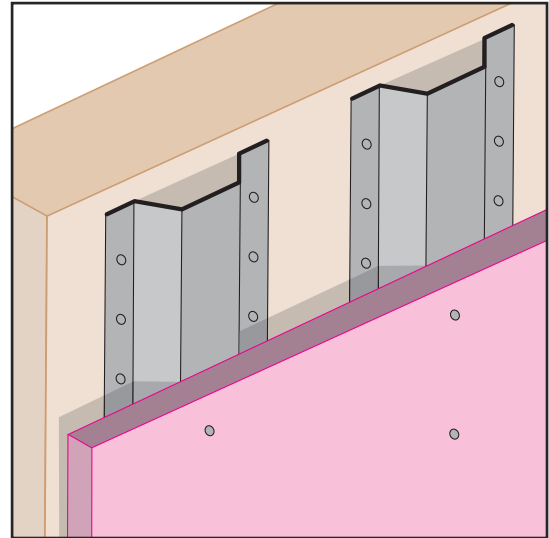




H-C/LP: Hat Channel Low Profile

- Special Sizes Available, Contact Customer Service For Details
 - Available in Aluminum (A), Copper (C), Galvanized Steel (GS), Bonderized (BN), Galvalume® (GVM), Stainless Steel (SS) or Zinc (Z)
- (See Our Materials Guide For Details, Page 40)

Similar to the hat Channel the Hot Channel Low Profile is designed to give less spacing. These 110° Hat Channel are framing component used to space out masonry walls and ceiling assemblies. In concrete wall applications, furring channel is installed vertically to the wall surface using concrete nails or power-driven fasteners. Exterior panels are then attached to the Hat Channels.



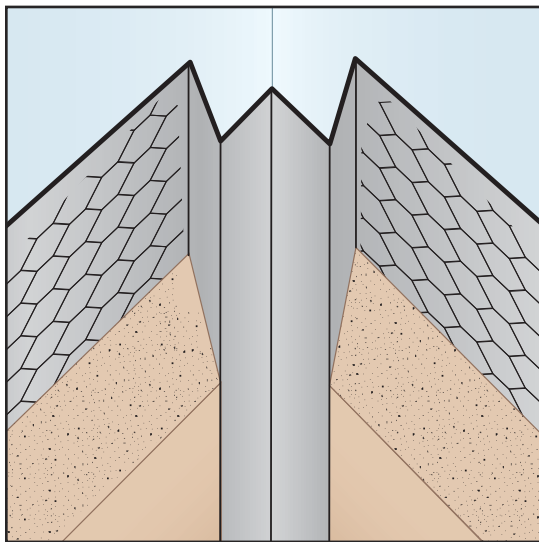
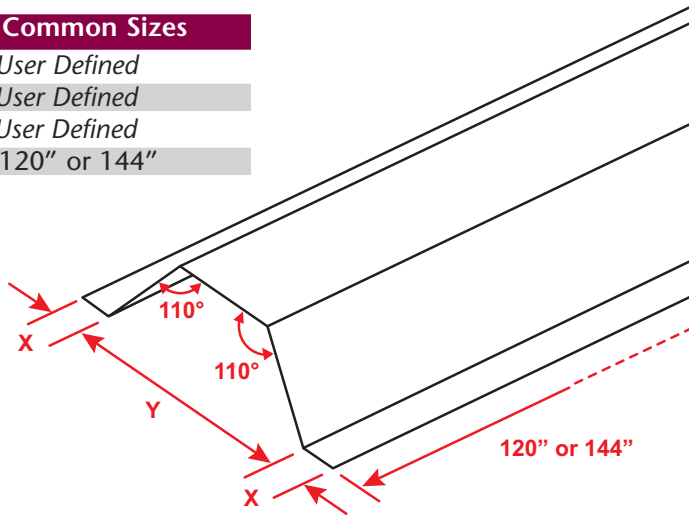
Most Common Sizes

X Sizes: User Defined

Y Sizes: User Defined

Z Sizes: User Defined

Length: 120" or 144"



ICR: Inside Corner Reveal

- Special Sizes Available, Contact Customer Service For Details
 - Available in Aluminum (A), Copper (C), Galvanized Steel (GS), Bonderized (BN), Galvalume® (GVM), Stainless Steel (SS) or Zinc (Z)
- (See Our Materials Guide For Details, Page 40)

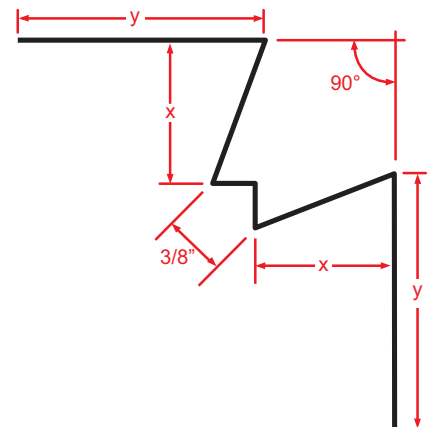
Provides a decorative reveal at an inside corner condition.

Most Common Sizes

X Sizes: 1/2", 5/8", 3/4", 7/8" or 1"

Y Sizes: 1 1/2"

Length: 120"



Most Common Part Numbers:

ICR034 112 ICR: X=3/4, Y=1 1/2, GS, 10'

ICR034 112SS4 ICR: X=3/4, Y=1 1/2, SS, 4'

ICR034 112Z ICR: X=3/4, Y=1 1/2, Z, 10'

ICR058 112 ICR: X=5/8, Y=1 1/2, GS, 10'

ICR058 112SS ICR: X=5/8, Y=1 1/2, SS, 10'

ICR078 112 ICR: X=7/8, Y=1 1/2, GS, 10'

ICR078 112SS ICR: X=7/8, Y=1 1/2, SS, 10'