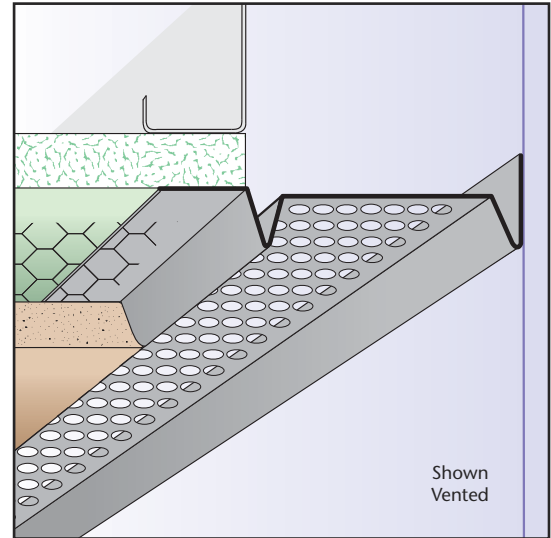


## FVM: F Vent Mold

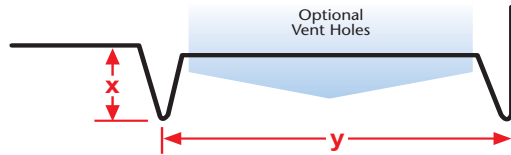
- Special Sizes Available, Contact Customer Service For Details
  - Available With 1/8", 1/4" Vent Holes or No Vent
  - Available Curved Upon Request
  - Available in Aluminum (A), Copper (C), Galvanized Steel (GS), Bonderized (BN), Galvalume® (GVM), Stainless Steel (SS) or Zinc (Z)
- (See Our Materials Guide For Details, Page 40)

F-vent designed to butt against walls on one side with an extended attachment flange providing perimeter airflow. Available non-vented for use as a decorative reveal.



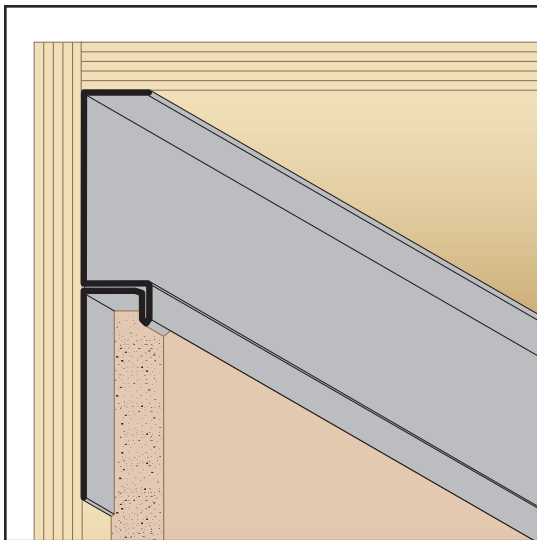
### Most Common Sizes

- X Sizes:** 3/8", 1/2", 5/8", 3/4", 7/8", 1" or 1 3/8"  
**Y Sizes:** 3/4", 1", 1 1/2", 2", 2 1/2", 3", 3 1/2" or 4"  
**Length:** 120"



### Most Common Part Numbers:

<b>FVM012V200</b>	FVM: X=1/2, 1/8 Vent, Y=2, GS, 10'	<b>FVM058V312</b>	FVM: X=5/8, 1/8 Vent, Y=3 1/2, GS, 10'
<b>FVM034V200J</b>	FVM: X=3/4, 1/4 Vent, Y=2, GS, 10'	<b>FVM078V200</b>	FVM: X=7/8, 1/8 Vent, Y=2, GS, 10'
<b>FVM034V300</b>	FVM: X=3/4, 1/8 Vent, Y=3, GS, 10'	<b>FVM100V300J</b>	FVM: X=1, 1/4 Vent, Y=3 1/2, GS, 10'
<b>FVM034V400</b>	FVM: X=3/4, 1/8 Vent, Y=4, GS, 10'		



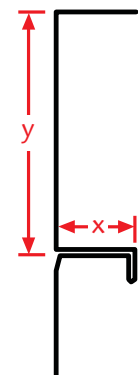
## FWC: F Water-Resistant Channel

- Special Sizes Available, Contact Customer Service For Details
  - Superior™ Moisture Protection
  - SolidGround® Design For Moisture Protection
  - Available in Aluminum (A), Copper (C), Galvanized Steel (GS), Bonderized (BN), Galvalume® (GVM), Stainless Steel (SS) or Zinc (Z)
- (See Our Materials Guide For Details, Page 40)

One-piece design feature mitigates the concern of moisture penetration in a horizontal application. Matching customer service miter-cut, solid-soldered inside and outside corners are available, giving you moisture management confidence throughout the entire installation.

### Most Common Sizes

- X Sizes:** 3/4", 7/8", 1", 1 1/4" or 1 3/8"  
**Y Sizes:** 1/2", 3/4", 1", 1 1/2" or 2"  
**Length:** 120"



### Most Common Part Numbers:

<b>FWC012 034</b>	FWC: X=1/2, Y=3/4, GS, 10'	<b>FWC034 100</b>	FWC: X=3/4, Y= 1, GS, 10'
<b>FWC034 012</b>	FWC: X=3/4, Y=1/2, GS, 10'	<b>FWC034 200</b>	FWC: X=3/4, Y=2, GS, 10'
<b>FWC034 034</b>	FWC: X=3/4, Y=3/4, GS, 10'	<b>FWC078 100</b>	FWC: X=7/8, Y=1, GS, 10'
<b>FWC034 034Z</b>	FWC: X=3/4, Y=3/4, Z, 10'		