

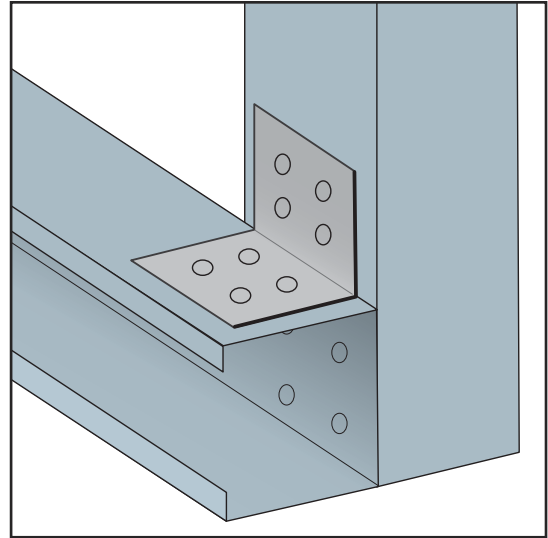
A-C: Custom Clips

- Special Sizes Available, Contact Customer Service For Details
- Prepunched Holes And Slotting Available
- Available in Aluminum (A), Copper (C), Galvanized Steel (GS), Bonderized (BN), Galvalume® (GVM), Stainless Steel (SS) or Zinc (Z)

(See Our Materials Guide For Details, Page 40)

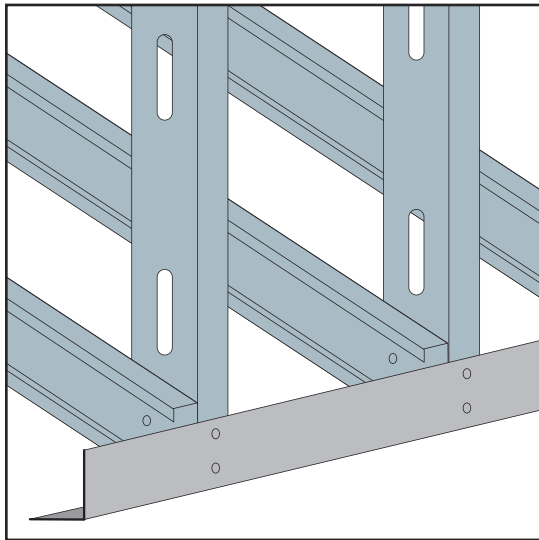
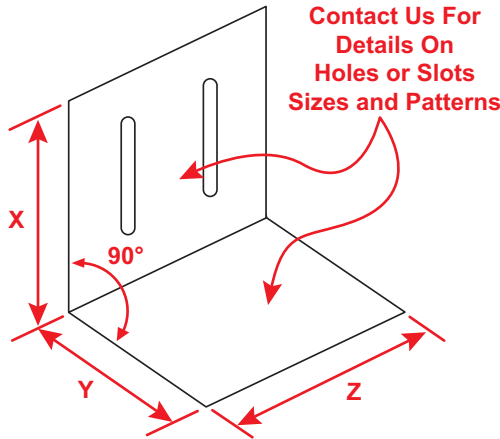
We can custom fabricate almost any angle, bend, shape or specialty framing clip, connector or support requested. These custom products are manufactured using precision brake-forming equipment. We offer a wide selection of specialized sizes and shapes are available. Prepunched holes and specialized slotting are also available.

Note: Location for slot size



Most Common Sizes

- X Sizes:** User Defined
- Y Sizes:** User Defined
- Z Sizes:** User Defined
- Slot Size:** User Defined



ANG: Custom Angles

- Special Sizes Available, Contact Customer Service For Details
- Available in Aluminum (A), Copper (C), Galvanized Steel (GS), Bonderized (BN), Galvalume® (GVM), Stainless Steel (SS) or Zinc (Z)

(See Our Materials Guide For Details, Page 40)

We can custom fabricate almost any angle, bend, shape or specialty framing clip, connector or support requested. These custom products are manufactured using precision brake-forming equipment. We offer a wide selection of specialized sizes and shapes are available.

Most Common Sizes

- X Sizes:** User Defined
- Y Sizes:** User Defined
- Angle Degree (Z):** User Defined
- Length:** 120" or 144"

