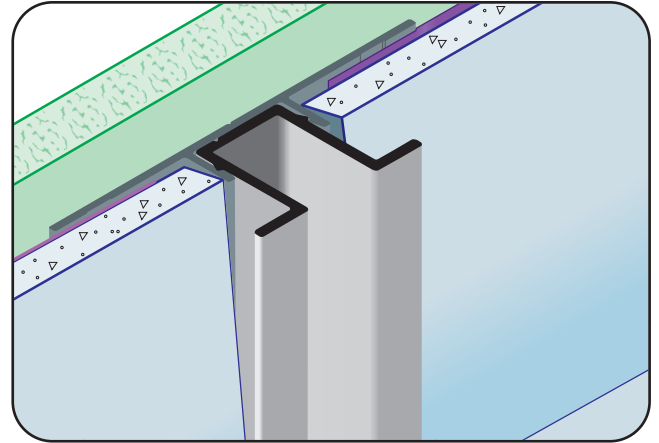


VI-FCP: Vertical Insert for FCP

- Available in Aluminum Alloy (6063 T-5)

The VI-FCP Vertical Insert creates an attractive 1/2" architectural reveal when used in conjunction with the VR-FCP Vertical Retainer.

Note: Not to be used in horizontal applications. Attach panel per manufacturer's recommended installation instructions. The VR-FCP Retainer is sold separately.

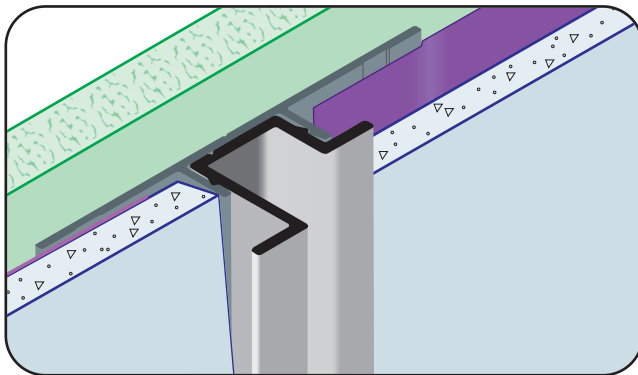


VLI-FCP: Vertical Lap Insert for FCP

- Available in Aluminum Alloy (6063 T-5)

The VLI-FCP Vertical Lap Insert creates an architectural 1/2" reveal when used with the VR-FCP Vertical Retainer.

Note: Not to be used in horizontal applications. Attach panel per manufacturer's recommended installation instructions. The VR-FCP Retainer is sold separately.

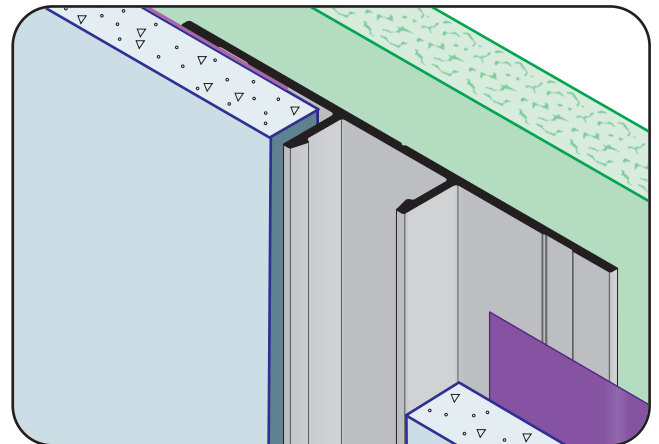
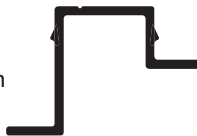


VO-FCP: Vertical Offset Insert for FCP

- Available in Aluminum Alloy (6063 T-5)

The VO-FCP Vertical Offset Insert creates an attractive 1/2" architectural reveal when used in conjunction with the VR-FCP Vertical Retainer. This is an excellent molding for the transition from a single layer of fiber cement panels to lap siding.

Note: Not to be used in horizontal applications. Attach panel per manufacturer's recommended installation instructions. The VR-FCP Retainer is sold separately.



VR-FCP: Vertical Retainer for FCP

- Available in Aluminum Alloy (6063 T-5)

The VR-FCP Vertical Retainer acts as the receiver for a Vertical Insert, Vertical Offset or Vertical Lap Insert. This allows for easy panel installation.

Note: Not to be used in horizontal applications. Attach panel per manufacturer's recommended installation instructions.

