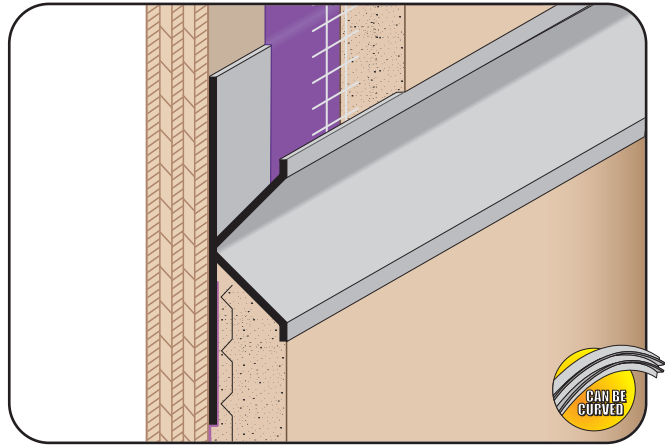


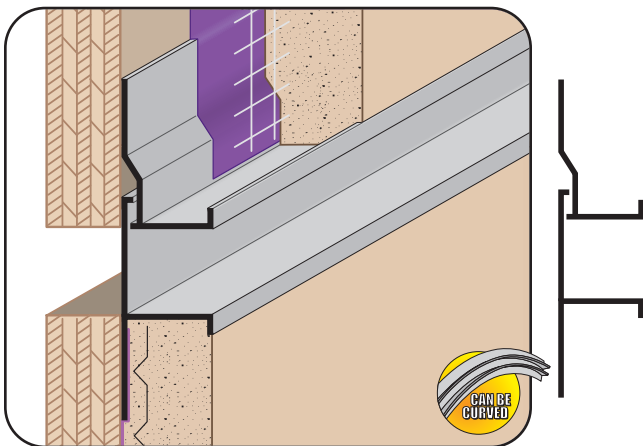
PCS 75 Short V: Plaster Channel Screed Short V

- Available Curved Upon Request
 - Available in Aluminum Alloy (6063 T-5)
- A plaster channel screed that creates a unique 90° "V" shaped reveal.



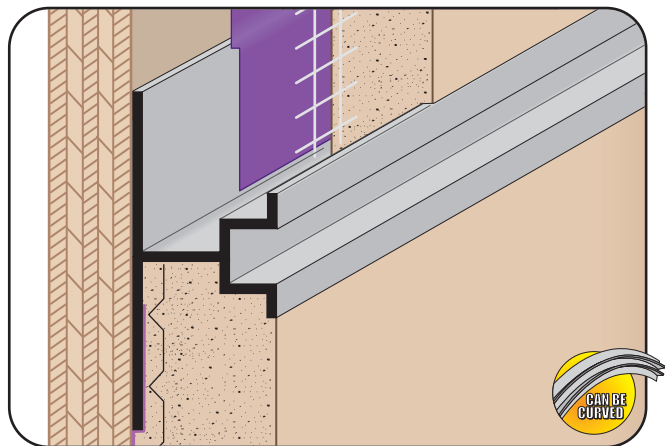
PCS 75 Wide V: Plaster Channel Screed Wide V

- Available Curved Upon Request
 - Available in Aluminum Alloy (6063 T-5)
- A plaster channel screed that creates a unique, wide 90° "V" shaped reveal.



PCS 75-2: Plaster Channel Screed 75 - 2 Piece

- Available With 1/8" x 1" Vent Slots or No Vents
 - Available W/ 1/8" Weep Holes Slots or No Weep Holes
 - Available Curved Upon Request
 - Available in Aluminum Alloy (6063 T-5)
- A two-piece version of the PCS series molding that provides 1/4" +/- movement where a "true" expansion joint is required. In a double stud condition, this molding is typically used in a horizontal condition at floor lines where deflection is an issue.



PCS 75-25/25: Plaster Channel Screed 75-25/25

- Available Curved Upon Request
 - Available in Aluminum Alloy (6063 T-5)
- Plaster channel screed with minimal reveal width and ground depth for conditions that require a control joint with a small reveal.

