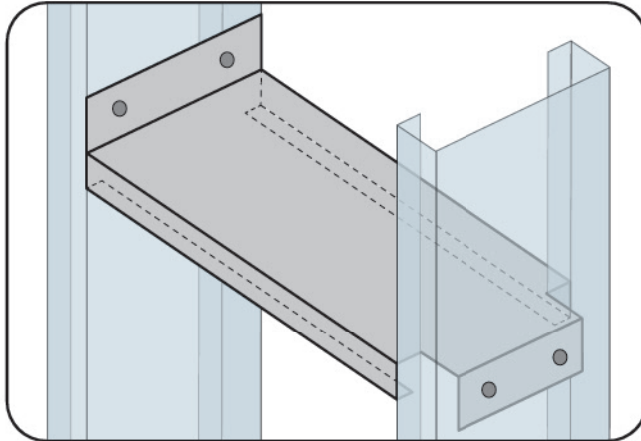




CUSTOM SIZES AVAILABLE!

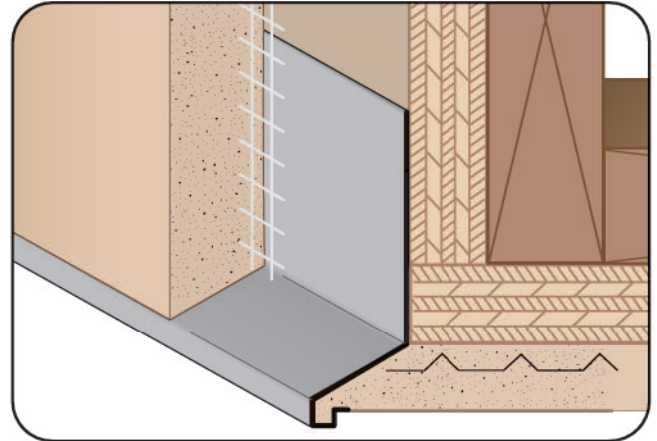
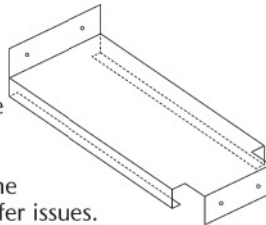
Stockton Custom Fabrication
877-786-2587
custom@StocktonProducts.com



SBX: Stud Blocking

- Available in 3 5/8", 4", 6" And 8" Standard Widths
- Available in Galvanized Steel

The Stub Blocking provides horizontal bracing for studs and joists. Designed for 12", 16", and 24" stud layouts with a precut flange to fit between the studs for easy installation. Provides full bearing between the wall stud webs along the shear wall and prevention load transfer issues.

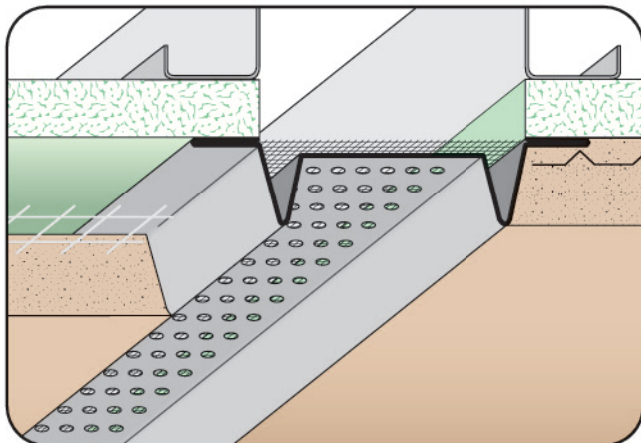


SDE: #12 Soffit Drip Edge™

- Superior™ Moisture Protection
- No Weep Holes
- Available Curved Upon Request
- Available in Aluminum, Copper, Galvanized Steel, Bonderized, Galvalume®, Stainless Steel or Zinc

The #12 drip molding is designed to be used as a drip molding at the fascia/soffit transition as well as at recessed window conditions to provide a decorative drip edge and plaster stop.

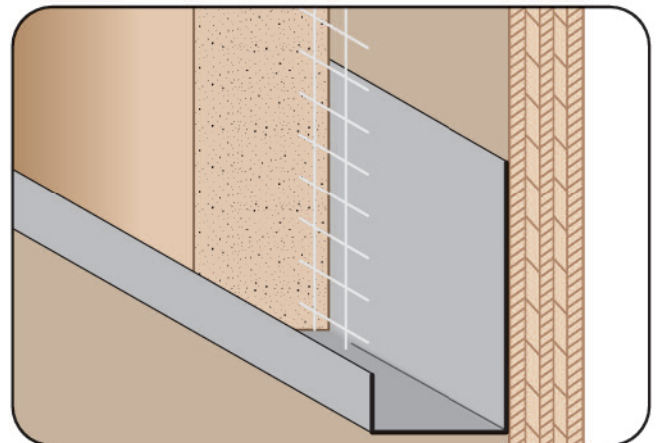
Note: #12 Soffit Drip Edge™ is a trademark of CEMCO.



SES: EmberStop® Soffit Vent

- Available in Galvanized Steel Only
- US Patent 77,957,955

Allows air in while also designed for protection against ember entry. All the same features and value of our standard SVR screed, but with the addition of a 0.062, 16-16 (1/16") aluminum screen. Includes 1/8" vent holes.



SFC: Short Flange Casing

- Available With 1/8" Weep Holes or No Holes
- Available Curved Upon Request
- Available in Aluminum, Copper, Galvanized Steel, Bonderized, Galvalume®, Stainless Steel or Zinc

This is the most frequently used casing bead for terminating drywall and plaster.