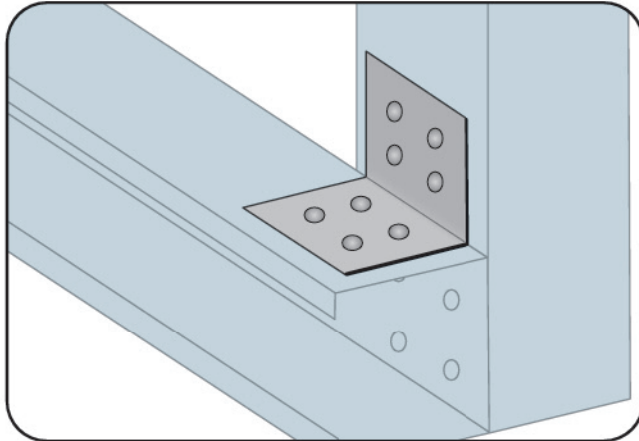




## CUSTOM SIZES AVAILABLE!

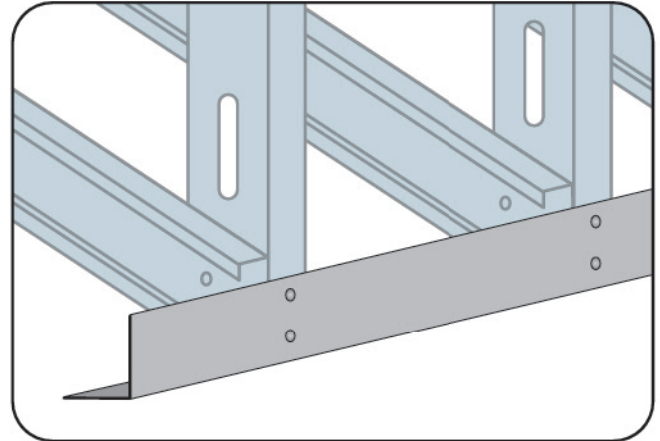
Stockton Custom Fabrication  
877-786-2587  
custom@StocktonProducts.com



### A-C: Custom Clips

- Prepunched Holes And Slotting Available
- Available in Aluminum, Copper, Galvanized Steel, Bonderized, Galvalume®, Stainless Steel or Zinc

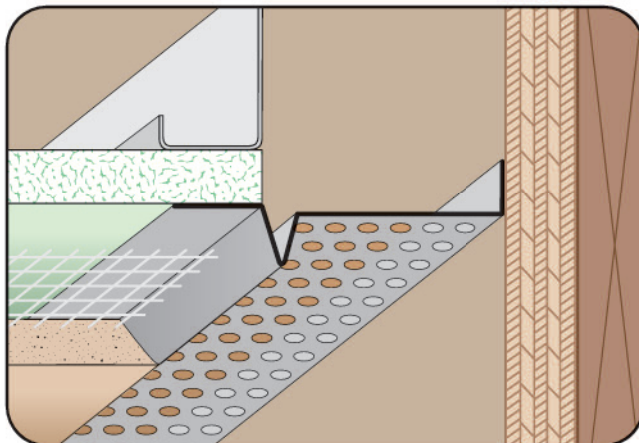
We can custom fabricate almost any angle, bend, shape or specialty framing clip, connector or support requested. These custom products are manufactured using precision brake-forming equipment. We offer a wide selection of specialized sizes and shapes are available. Prepunched holes and specialized slotting are also available.



### ANG: Custom Angles

- Available in Aluminum, Copper, Galvanized Steel, Bonderized, Galvalume®, Stainless Steel or Zinc

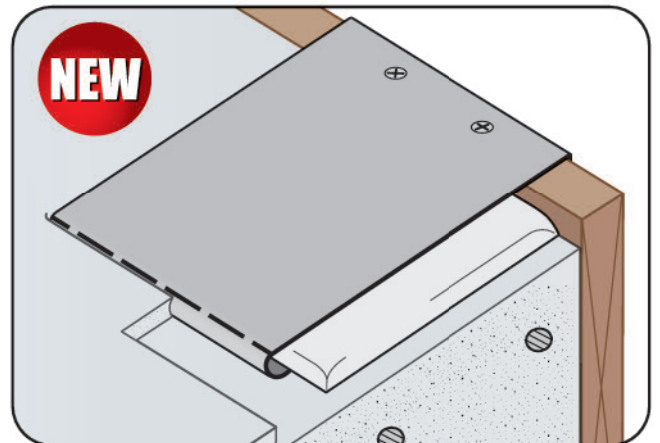
We can custom fabricate almost any angle, bend, shape or specialty framing clip, connector or support requested. These custom products are manufactured using precision brake-forming equipment. We offer a wide selection of specialized sizes and shapes are available.



### AWF: Attic Wing Fascia (J-2)

- Available With 1/8", 1/4" Vent Holes or No Vent
- Available Curved Upon Request
- Available in Aluminum, Copper, Galvanized Steel, Bonderized, Galvalume®, Stainless Steel or Zinc

Provides a ventilated finish at the juncture of soffit and fascia providing attachment by a wing in attic. Available non-vented for use as a decorative reveal upon request.



### BFC: Breakaway Form Clip

- US Patent 11,035,115

The Breakaway Form Clip is designed to be temperately mounted to the wood form of your concrete pad project to hold the anchor plate squarely in place. Once the concrete is cured, simply remove the fastening nails or screws and lift up the Breakaway Form Clip and it will snap off leaving you with a nice flat anchor plate. With the optional slots you can also use Breakaway Form Clip with protruding anchor bolts.