

## OC-FCP: Outside Corner for Fiber Cement Panel

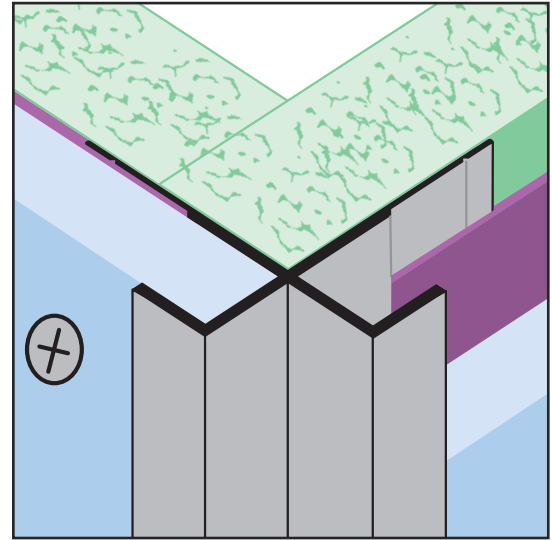
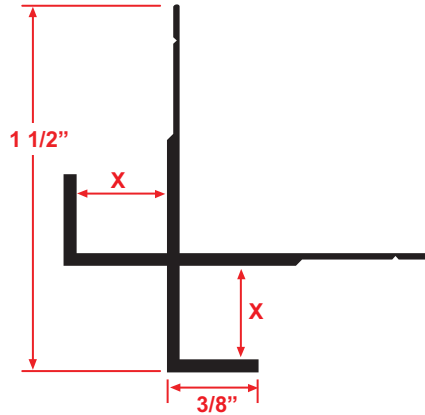
- Available in Aluminum Alloy (6063 T-5)

Creates a decorative reveal and a high strength protective corner at an outside corner condition.

### Most Common Sizes

**X Sizes:** 3/8"

**Length:** 10'



### Most Common Part Numbers:

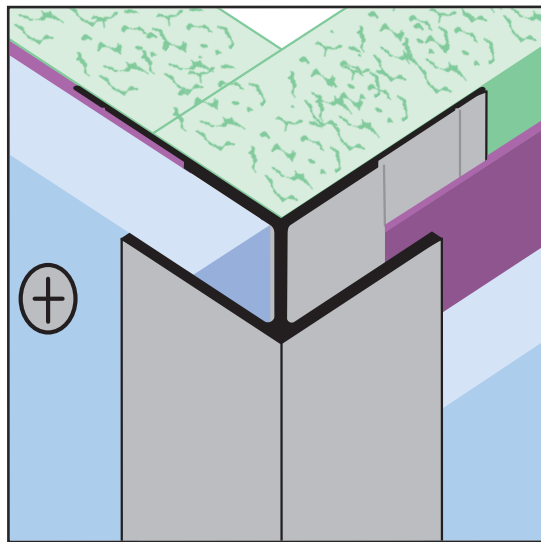
**OC FCP375 375EC** OC-FCP: X=3/8, Y=3/8, Clear Anod, AL, 10'

**OC FCP375 375EC** OC-FCP: X=3/8, Y=3/8, Clear Anod, AL, 10'

**OC FCP375 375EK** OC-FCP: X=3/8, Y=3/8, Fluorophore Paint, AL, 10'

**OC FCP375 375EP** OC-FCP: X=3/8, Y=3/8, Powder Coated, AL, 10'

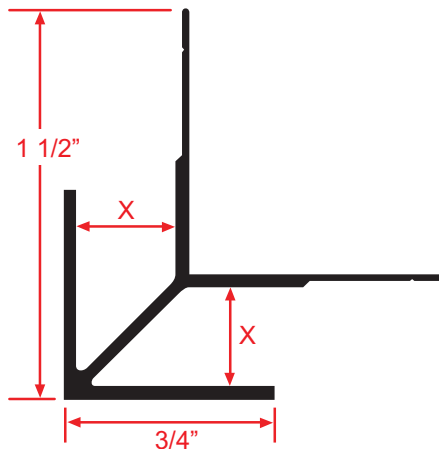
**OC FCP375 375ES** OC-FCP: X=3/8, Y=3/8, Powder Coated, AL, 10'



## OCG-FCP: Outside Corner Guard for Fiber Cement Panel

- Available in Aluminum Alloy (6063 T-5)

Creates a decorative high strength corner at an outside corner condition.



### Most Common Sizes

**X Sizes:** 3/8"

**Length:** 10'



### Most Common Part Numbers:

**OCG FCP375 375ES** OCG-FCP: X=3/8, Y=3/8, Stripped Finish, AL, 10'

**OCG FCP375 375EP** OCG-FCP: X=3/8, Y=3/8, Powder Coated, AL, 10'

**OCG FCP375 375EC** OCG-FCP: X=3/8, Y=3/8, Clear Anodize, AL, 10'