



**SPECIAL SIZES AVAILABLE!**

Contact Stockton Custom Fabrication at (877) 786-2587

**METAL**

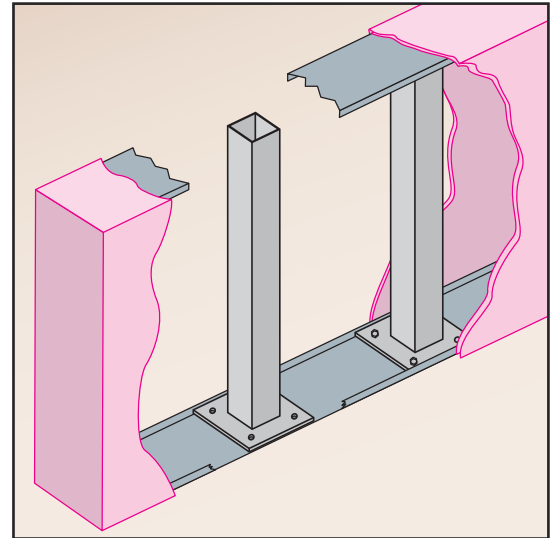
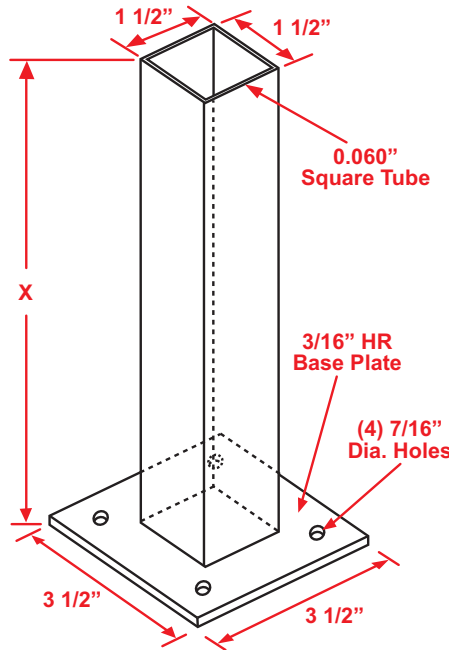
## WPX-S: Wall Post (Square Base)

- Special Sizes Available, Contact Customer Service For Details
  - 3 1/2" Square Base (3/16" HR Base Plate)
  - Includes Four 7/16" Dia. Holes
  - Available in 36", 48" And 60" Height
  - 3/16" Hot Roll Steel Standard
- (See Our Materials Guide For Details, Page 40)

Wall post are used in pony walls (half walls). The wall post is mounted to a guide track or directly to the floor structure. Which add strength and rigidity to the short 3 1/2" square base wall post would be used in 3 5/8" pony walls.

### Most Common Sizes

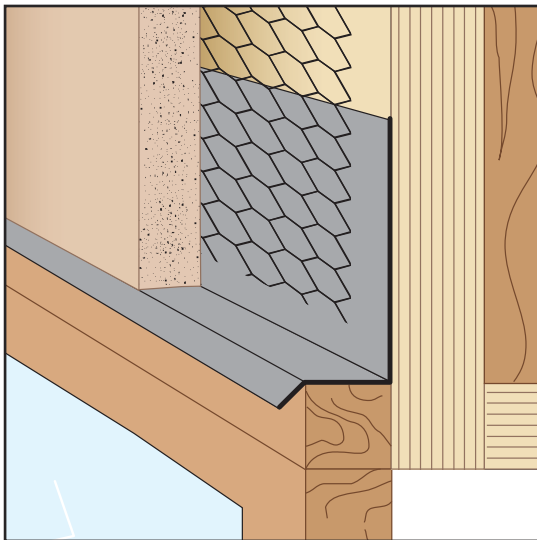
**X Sizes:** 36", 48" or 60"



**NEW**

### Most Common Part Numbers:

<b>WPX 536</b>	WPX-S: X=36, HR
<b>WPX 548</b>	WPX-S: X=48, HR
<b>WPX 560</b>	WPX-S: X=60, HR



## WTP: Window Termination Point

- Special Sizes Available, Contact Customer Service For Details
  - Available Curved Upon Request
  - Available in Aluminum (A), Copper (C), Galvanized Steel (GS), Bonderized (BN), Galvalume® (GVM), Stainless Steel (SS) or Zinc (Z)
- (See Our Materials Guide For Details, Page 40)

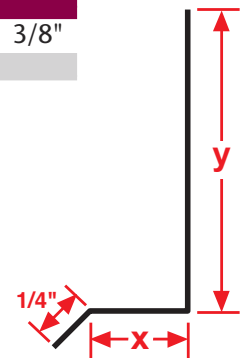
Provides a termination/drip edge above exterior door and window heads.

### Most Common Sizes

**X Sizes:** 1/4", 1/2", 5/8", 3/4", 7/8", 1" or 1 3/8"

**Y Sizes:** 2", 2 1/2", 3" or 4"

**Length:** 120"



### Most Common Part Numbers:

<b>WTP014 300A</b>	WTP: X=1/4, Y=3 1/2, A, 10'
<b>WTP034 200</b>	WTP: X=3/4, Y=2, GS, 10'
<b>WTP034 312</b>	WTP: X=3/4, Y=3 1/2, GS, 10'
<b>WTP078 200</b>	WTP: X=7/8, Y=2, GS, 10'

<b>WTP078 300</b>	WTP: X=7/8, Y=3, GS, 10'
<b>WTP078 312</b>	WTP: X=7/8, Y=3 1/2, GS, 10'
<b>WTP078 400</b>	WTP: X=7/8, Y=4, GS, 10'
<b>WTP138 300</b>	WTP: X=1 3/8, Y=3, GS, 10'