



SPECIAL SIZES AVAILABLE!

Contact Stockton Custom Fabrication at (877) 786-2587

STM: Soffit Transition Mold

- Special Sizes Available, Contact Customer Service For Details
 - Available With 1/8", 1/4" Vent Holes or No Vent
 - Available Curved Upon Request
 - Available in Aluminum (A), Copper (C), Galvanized Steel (GS), Bonderized (BN), Galvalume® (GVM), Stainless Steel (SS) or Zinc (Z)
- (See Our Materials Guide For Details, Page 40)

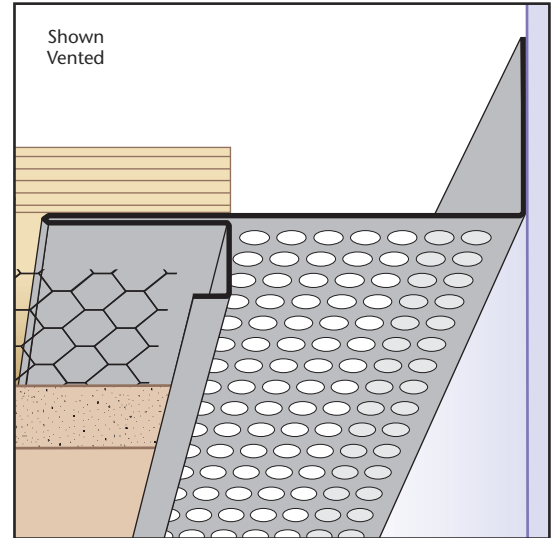
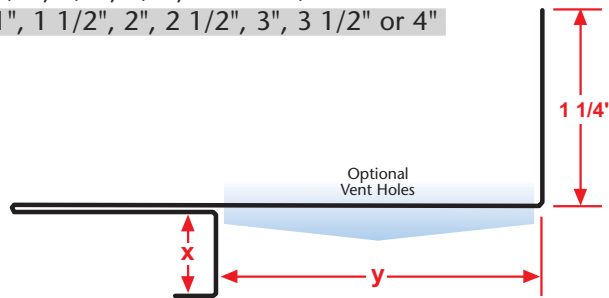
Provides a decorative transition between ceiling/wall with return keys for screeding of plaster. Can be vented for perimeter airflow into space above.

Most Common Sizes

X Sizes: 1/2", 5/8", 3/4", 7/8", 1" or 1 3/8"

Y Sizes: 3/4", 1", 1 1/2", 2", 2 1/2", 3", 3 1/2" or 4"

Length: 120"



Most Common Part Numbers:

STM012V212 STM: X=1/2, 1/8 Vent, Y=2 1/2, GS, 10'

STM034V100SS STM: X=3/4, 1/8 Vent, Y=1, SS, 10'

STM034V112 STM: X=3/4, 1/8 Vent, Y=1 1/2, GS, 10'

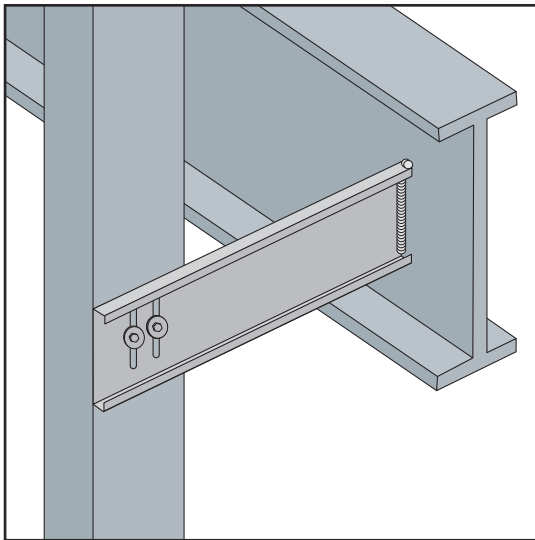
STM058V112JA STM: X=5/8, 1/4 Vent, Y=1 1/2, A, 10'

STM078V200 STM: X=7/8, 1/8 Vent, Y=2, GS, 10'

STM078V300J STM: X=7/8, 1/4 Vent, Y=3, GS, 10'

STM078V400 STM: X=7/8, 1/8 Vent, Y=4, GS, 10'

STM516V200 STM: X=5/16, 1/8 Vent, Y=2, GS, 10'



STS: Slotted Stud Sticker

- Special Sizes Available, Contact Customer Service For Details
 - Available in Galvanized Steel (GS)
- (See Our Materials Guide For Details, Page 40)

The Slotted Stud Sticker is an extended single shear connector. It is used for horizontal applications and offers a higher capability of any horizontal surface connection clip. Can be connected to a beam by clip or welded directly to it. Slotted connectors to allow for vertical deflection.

NOTE: 3/8" returns on 16 ga or thinner, 3/4" returns on 12ga or thicker.

Most Common Sizes

X Sizes: User Defined

Y Sizes: User Defined

Z Sizes: User Defined

Slot Spacing: User Defined

