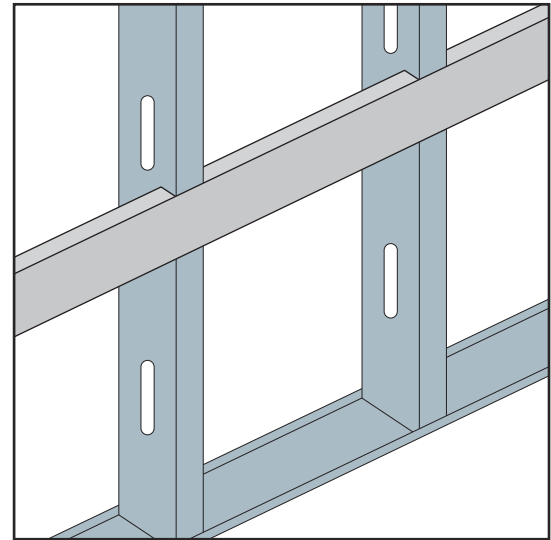


NTK: Notched Track

- Special Sizes Available, Contact Customer Service For Details
- Available in Galvanized Steel (GS)
(See Our Materials Guide For Details, Page 40)

Used for floor joist blocking or horizontal backing in walls to allow support mounting various items to the walls.

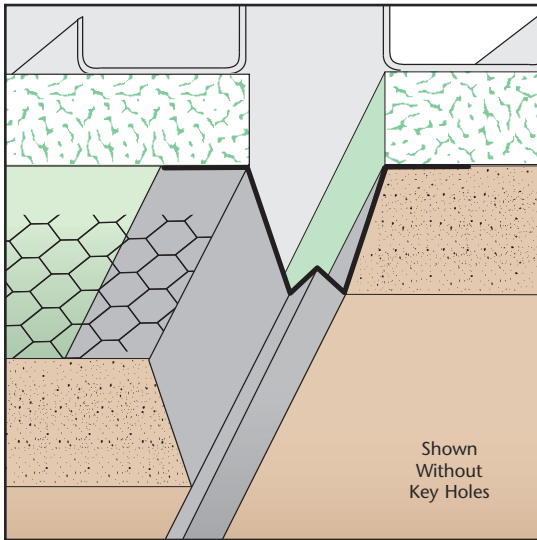
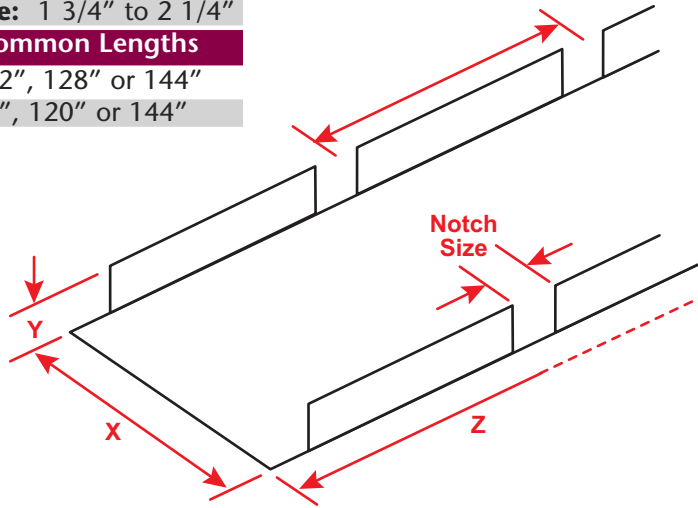


Most Common Sizes

- X Sizes:** User Defined
- Y Sizes:** User Defined
- Z Sizes:** User Defined
- Notch Size:** 1 3/4" to 2 1/4"

Most Common Lengths

- Z=16":** 112", 128" or 144"
- Z=24":** 96", 120" or 144"



Shown Without Key Holes



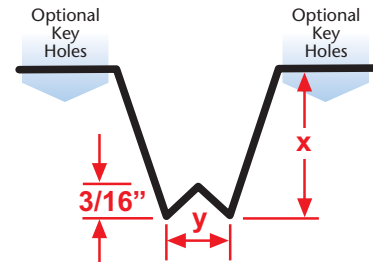
NVS: Narrow "V" Scred

- Special Sizes Available, Contact Customer Service For Details
- Available With Key Holes or No Holes
- Available in Aluminum (A), Copper (C), Galvanized Steel (GS), Bonderized (BN), Galvalume® (GVM), Stainless Steel (SS) or Zinc (Z)
(See Our Materials Guide For Details, Page 40)

A control joint with a minimal reveal. Available with key holes in the nailing flange for better plaster adhesion.

Most Common Sizes

- X Sizes:** 1/2", 5/8", 3/4", 7/8" or 1 3/4"
- Y Sizes:** 1/8", 1/4" or 3/8"
- Length:** 120"



Most Common Part Numbers:

NVS012 018E	NVS: X=1/2, Y=1/8, Mill Finish, 10'	NVS034W014	NVS: X=3/4, 1/8 Weep Hole, Y=1/4, GS, 10'
NVS034 014A	NVS: X=3/4, Y=1/4, A, 10'	NVS078 014SS	NVS: X=7/8, Y=1/4, SS, 10'
NVS034 014Z	NVS: X=3/4, Y=1/4, Z, 10'	NVS134 014	NVS: X=1 3/4, Y=1/4, GS, 10'
NVS034 018EC	NVS: X=3/4, Y=1/8, Clear Anodize, 10'		