

FLT: Flexible Trak

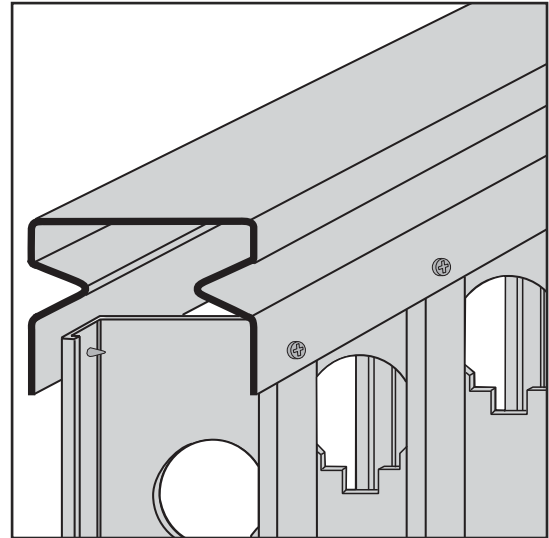
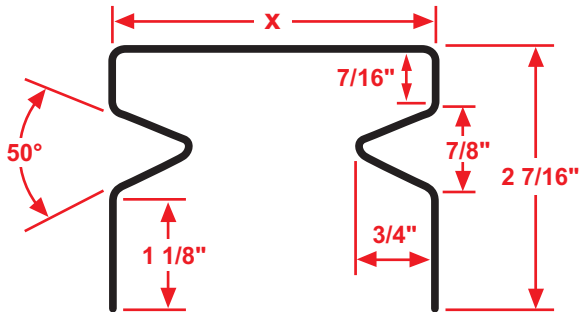
- Special Sizes Available, Contact Customer Service For Details
- 26 Gauge or 20 Gauge Galvanized Steel Only
(See Our Materials Guide For Details, Page 40)

Flexible Trak is designed for non-load bearing and partition walls to reduce cracking caused by ceiling deflection.

Most Common Sizes

X Sizes: 3 5/8", 4" or 6"

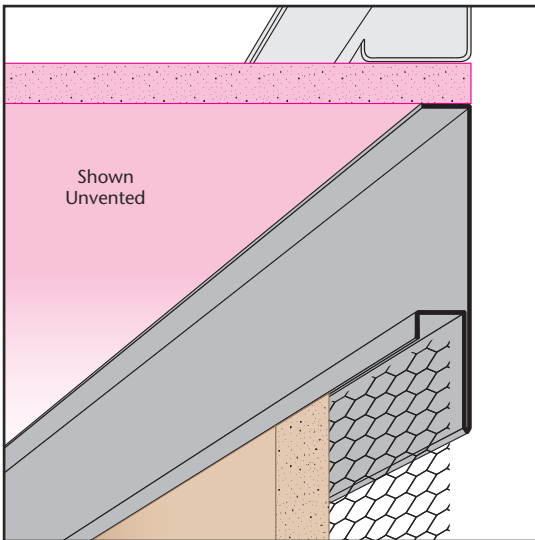
Length: 120"



Most Common Part Numbers:

FLT20G 358 FLT: X=3 5/8, GS 20ga, 10'

FLT20G 600 FLT: X=6, GS 20ga, 10'



FRM: F Reveal Mold

- Special Sizes Available, Contact Customer Service For Details
- Available With 1/8", 1/4" Vent Holes or No Vent
- Available With 1/8" Weep Holes or No Weep Holes
- Available Curved Upon Request
- Available in Aluminum (A), Copper (C), Galvanized Steel (GS), Bonderized (BN), Galvalume® (GVM), Stainless Steel (SS) or Zinc (Z)
(See Our Materials Guide For Details, Page 40)

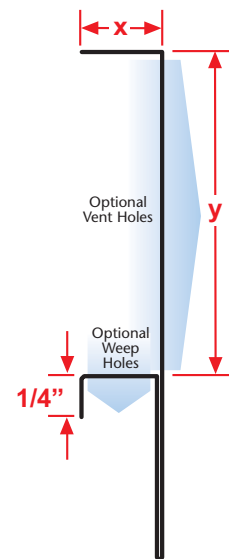
Creates a decorative reveal at wall/ceiling conditions for stucco. Can be vented for perimeter air flow. Has a return key for screeding.

Most Common Sizes

X Sizes: 1/2", 5/8", 3/4", 7/8", 1" or 1 3/8"

Y Sizes: 3/4", 1", 1 1/2", 2", 2 1/2", 3", 3 1/2" or 4"

Length: 120"



Most Common Part Numbers:

FRM012 034 FRM: X=1/2, Y=3/4, GS, 10'

FRM012V100J FRM: X=1/2, 1/4 Vent, Y=1, GS, 10'

FRM012V200 FRM: X=1/2, 1/8 Vent, Y=2, GS, 10'

FRM034V200 FRM: X=3/4, 1/8 Vent, Y=2, 10'

FRM078 200 FRM: X=7/8, Y=2, GS, 10'

FRM078V200 FRM: X=7/8, 1/8 Vent, Y=2, GS, 10'

FRM100 034AK FRM: X=1, Y=3/4, A, Fluorophore Paint, 10'