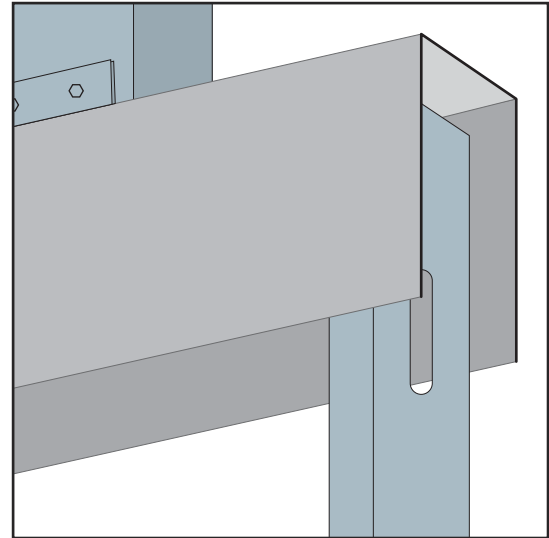


## DLT: Deep Leg Track

- Special Sizes Available, Contact Customer Service For Details
- Available in Galvanized Steel (GS)  
(See Our Materials Guide For Details, Page 40)

The deflection track is used to align the studs vertically and the deflection of the building structure at the head of wall. Allows the top of the wall stud to float within the track legs. The wall studs are not fastened to the track.



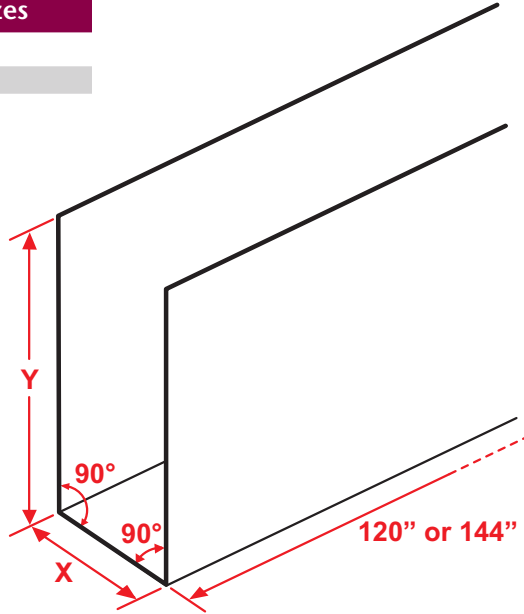
**NEW**

### Most Common Sizes

**X Sizes:** User Defined

**Y Sizes:** User Defined

**Length:** 120" or 144"



## DTE: Drywall Termination Edge

- Special Sizes Available, Contact Customer Service For Details
- Available in Aluminum (A), Copper (C), Galvanized Steel (GS), Bonderized (BN), Galvalume® (GVM), Stainless Steel (SS) or Zinc (Z)  
(See Our Materials Guide For Details, Page 40)

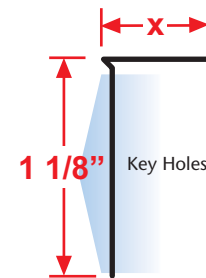
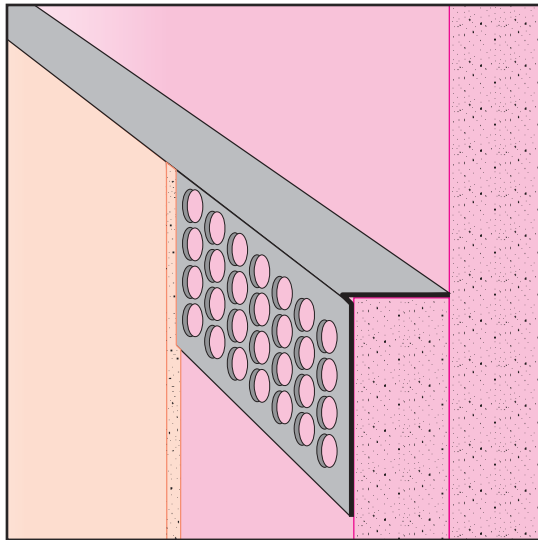
Creates a protective and decorative edge for drywall at any termination point. Includes key holes for drywall mud adhesion.

### Most Common Sizes

**X Sizes:** 1/2" or 5/8"

**Y Sizes:** 1 1/8"

**Length:** 120"



### Most Common Part Numbers:

**DTE012 11884IN** DTE: X=1/2, Y=1 1/8, GS, 7'

**DTE012 118AK** DTE: X=1/2, Y=1 1/8, Fluorophore, A

**DTE012 118SS** DTE: X=1/2, Y=1 1/8, SS, 10'

**DTE012 200G20** DTE: X=1/2, Y=2, GS 20ga, 10'

**DTE058 114AC** DTE: X=5/8, Y=1 1/4, Clr Andz, AL, 10'

**DTE058 118AK** DTE: X=5/8, Y=1 1/8, Fluorophore, A, 10'

**DTE058 118SS** DTE: X=5/8, Y=1 1/8, SS, 10'

**DTE114 200JTC** DTE: X=1 1/4, Y=2, Jet Kote, GS, 10'