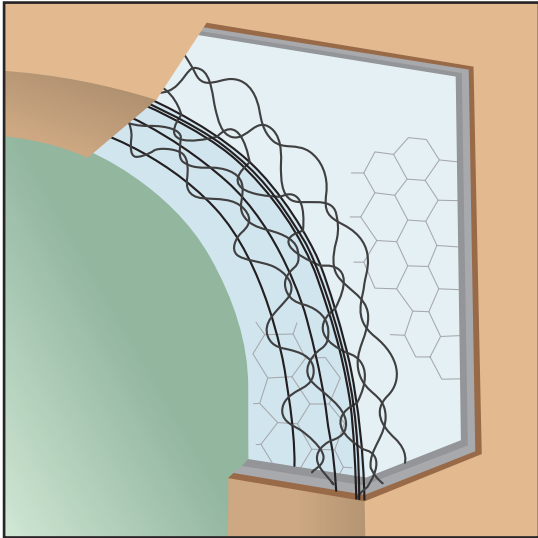


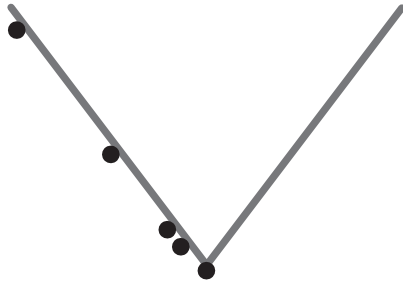
AA: ArchAid®

- Available in Galvanized or Stainless Steel

Designed for smooth, symmetrical arches and curves with minimal distortion. Enables faster construction of inside and outside curves. It has standard 2 3/8" legs; one is rigid and one is flexible to allow tailoring to the individual arch or curved radius. Available in stainless steel to be used with absolute confidence in high humidity and salt air environments.

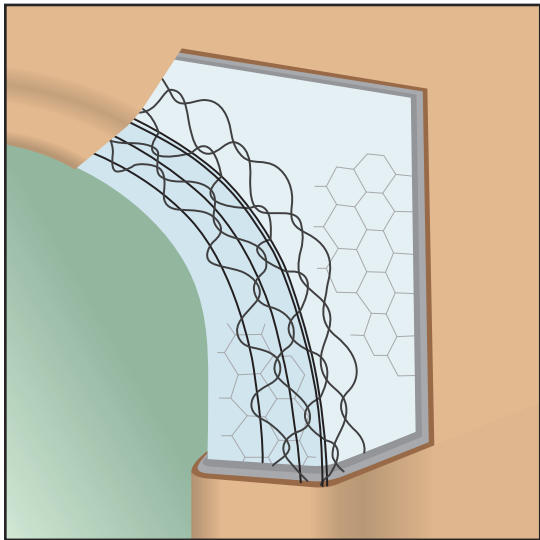


Per Carton
Total Feet: 400'
Pieces: 40
Length: 10'



Most Common Part Numbers:

10AA	ArchAid®: GS, 10'
10SSAA	ArchAid®: SS, 10'

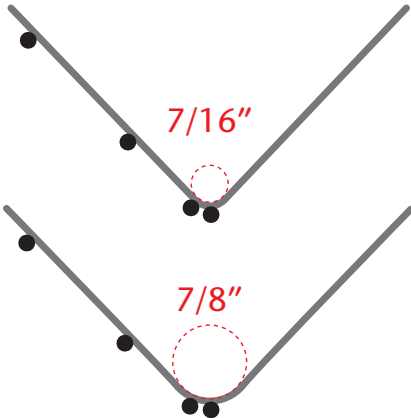


BNAA: Bullnose ArchAid®

- Available In 7/16" and 7/8" Radius
- Available in Galvanized or Stainless Steel

This smooth, round arch is designed with one rigid and one flexible leg for tailoring to the curve. It has standard 2 3/8" legs. Available in both 7/16" (ping pong ball size) and 7/8" (tennis ball size) radius. Available in stainless steel to be used with absolute confidence in high humidity and salt air environments.

Per Carton
Total Feet: 400'
Pieces: 40
Length: 10'



Most Common Part Numbers:

10BNAA716	Bullnose ArchAid®: 7/16" Bullnose, GS, 10'
10BNAA78	Bullnose ArchAid®: 7/8" Bullnose, GS, 10'
10SSBNAA716	Bullnose ArchAid®: 7/16" Bullnose, SS, 10'
10SSBNAA78	Bullnose ArchAid®: 7/8" Bullnose, SS, 10'