



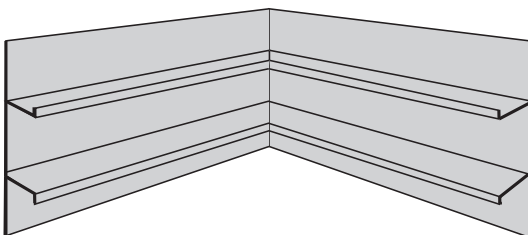
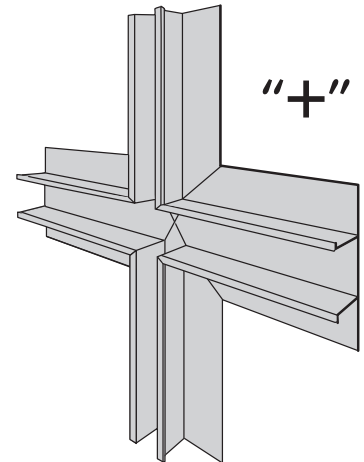
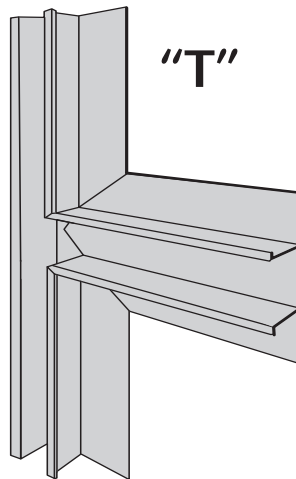
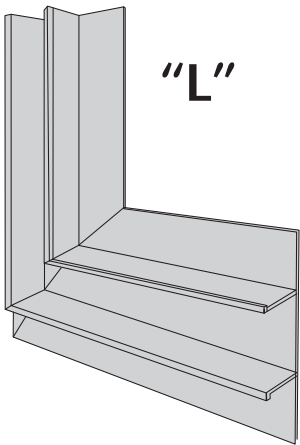
**PRODUCTS™**

# Intersection Guide

For Extruded Aluminum Products

Factory fabricated mitered corners and intersections are available. Intersections are available in standard styles, which are shown on this page. Custom shapes and designs are also available. The intersections are heli-arc welded. Six inch legs are standard. Longer legs—up to two feet in length—are available. Different size reveal widths and shapes can be intersected. Moldings can be miter cut and/or notched to meet special field conditions.

Consult your Stockton Products sales representative for details.



"Inside Corner"

