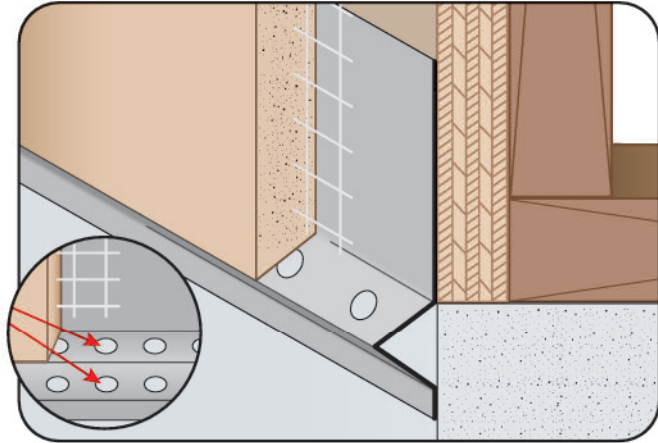


VMS: Vertical M-Slide Expansion Joint® (2 Piece)



- Superior™ Moisture Protection
- SolidGround® Design For Moisture Protection
- Available With 1/8" Weep Holes or No Holes
- Available in Aluminum, Copper, Galvanized Steel, Bonderized, Galvalume®, Stainless Steel or Zinc
- US Patent 7,673,421 B2

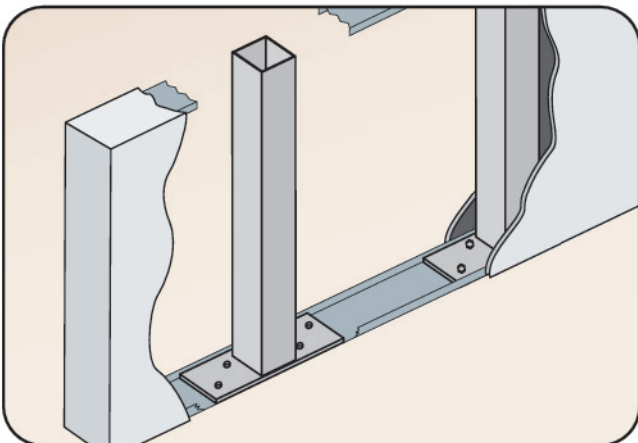
The unique hem design stops moisture penetration in a horizontal condition. The two-piece design allows for movement. Special "Step" on the attachment leg provides a locator for correct placement of the fasteners and helps keep the molding laying flat on the wall. Matching manufacturing plant miter-cut, solid-soldered inside and outside corners are available, giving you moisture management confidence throughout the entire installation.



W-S: #7 Weep Screed

- Superior™ Moisture Protection
- Available With 1/2" Weep Holes or No Holes
- Available Curved Upon Request
- Available in Aluminum, Copper, Galvanized Steel, Bonderized, Galvalume®, Stainless Steel or Zinc

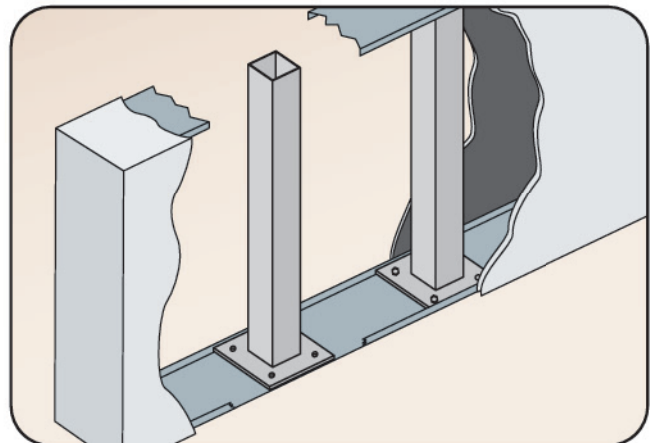
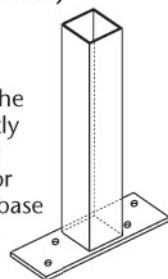
A traditional weep screed that provides a plaster stop and functions as a weep screed at the foundation. Available with and without weep holes.



WPX-R: Wall Post (Rectangular Base)

- 2 1/4" x 6" Rectangle Base (3/16" HR Base Plate)
- Includes Four 7/16" Dia. Holes
- Available in 36", 48" and 60" Height
- 3/16" Hot Roll (HR) Steel Standard

Wall post are used in pony walls (half walls). The wall post is mounted to a guide track or directly to the floor structure. Which add strength and rigidity to the short wall by acting as an anchor to the floor. Generally a 2 1/4" x 6" rectangle base wall post would be used in 2 1/2" pony walls.



WPX-S: Wall Post (Square Base)

- 3 1/2" Square Base (3/16" HR Base Plate)
- Includes Four 7/16" Dia. Holes
- Available in 36", 48" And 60" Height
- 3/16" Hot Roll Steel Standard

Wall post are used in pony walls (half walls). The wall post is mounted to a guide track or directly to the floor structure. Which add strength and rigidity to the short 3 1/2" square base wall post would be used in 3 5/8" pony walls.

