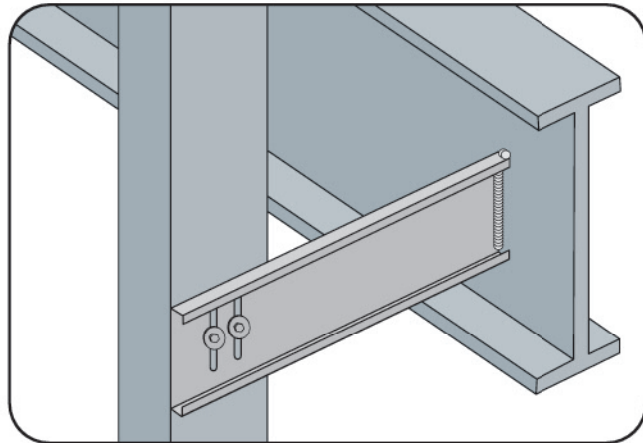


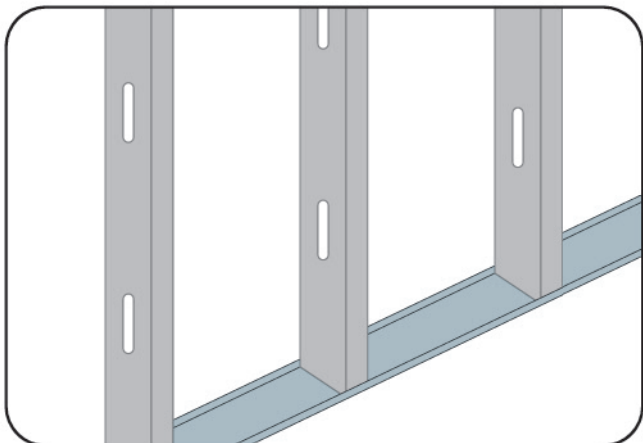
STM: Soffit Transition Mold

- Available With 1/8", 1/4" Vent Holes or No Vent
 - Available Curved Upon Request
 - Available in Aluminum, Copper, Galvanized Steel, Bonderized, Galvalume®, Stainless Steel or Zinc
- Provides a decorative transition between ceiling/wall with return keys for screeding of plaster. Can be vented for perimeter airflow into space above.



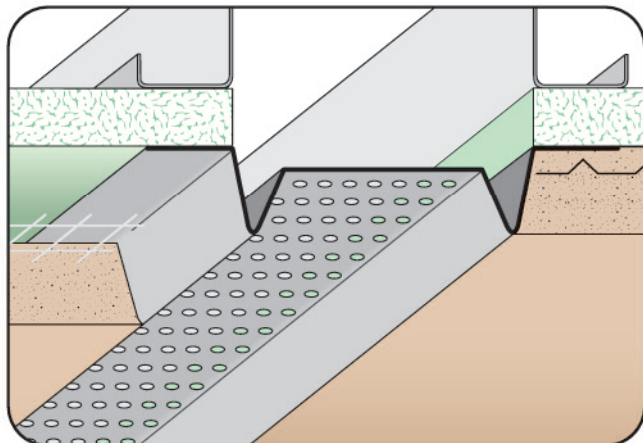
STS: Slotted Stud Sticker

- Available in Galvanized Steel
- The Slotted Stud Sticker is an extended single shear connector. It is used for horizontal surface applications and offers a higher capability of any horizontal surface connection clip. Can be connect to a beam by clip or welded directly to it. Slotted connectors to allow for vertical deflection.
- Note:** 3/8" returns on 16 ga or thinner, 3/4" returns on 12g a or thicker.



STU: Custom Stud

- Available in Punched or Unpunched
 - Available in Galvanized Steel
- Stockton Products' Custom Stud, produced to ASTM C955 standards, for load-bearing and curtain-wall framing. We offer our custom studs punched to allow conduit installation and wall bridging, or unpunched if preferred. Custom sizes and hole placement is available upon request.
- Note:** 3/8" returns on 14 ga or thinner, 3/4" returns on 12 ga or thicker.



SVR: Soffit Vent/Reveal Screed

- Available With 1/8", 1/4" Vent Holes or No Vent
 - Available Curved Upon Request
 - Available in Aluminum, Copper, Galvanized Steel, Bonderized, Galvalume®, Stainless Steel or Zinc
- Standard soffit vent provides required perimeter airflow into soffit air space. Also available "non vented" for creating shadow lines/accent stripes in the stucco exterior, while providing crack control.