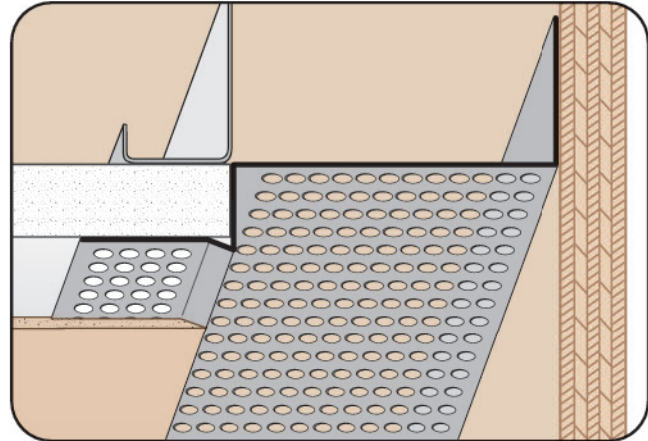


DWS: DripWave® Weep Screed

- Available in Galvanized Steel

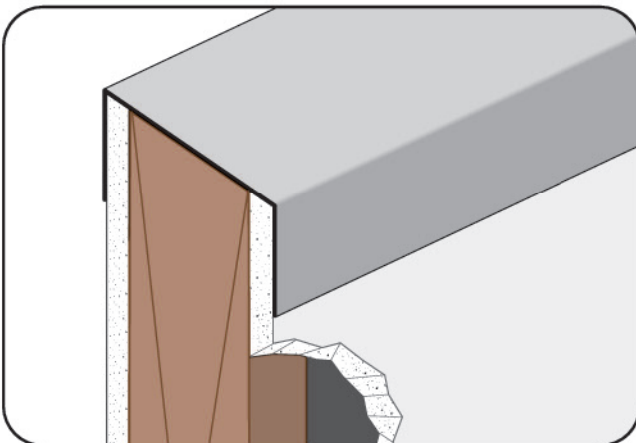
The elongated channels at the bottom of the weep screed provide an optimal route for water to escape while providing 3/8" from the face of the insulation panel to the edge of the weep metal, in alignment with one-coat stucco application requirements.

Note: DripWave® is a registered trademark of StyTek.



DWT: Drywall Wall Trim

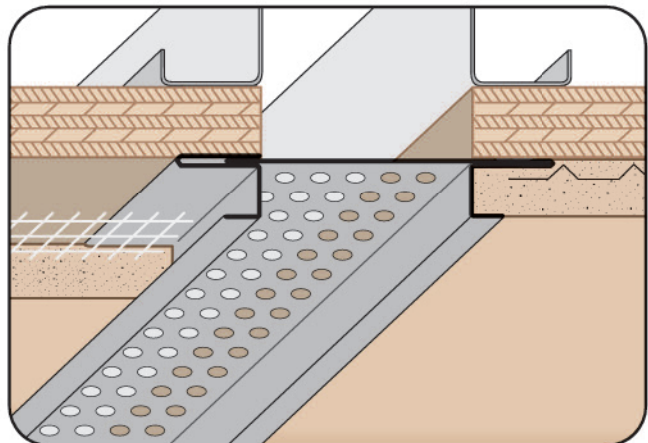
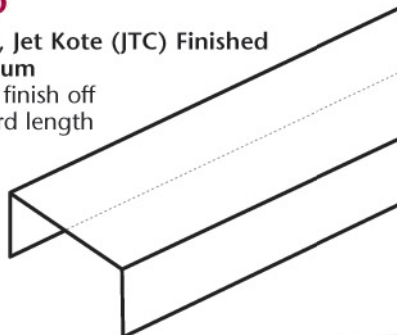
- Available With Vent Holes
 - Available in Aluminum, Copper, Galvanized Steel, Bonderized, Galvalume®, Stainless Steel or Zinc
- A multi-functional drywall product that makes a smooth transition from a drywall ceiling to the wall. Includes key holes for proper plaster adhesion.



ECP: End Cap

- Available Anodized, Jet Kote (JTC) Finished
- Available in Aluminum

Used as an end cap to finish off partition walls. Standard length is 10 foot.



ECS: Channel Vent Screed (2 Piece)

- Available With 1/8", 1/4" Vent Holes or No Vent
 - Available in Aluminum, Copper, Galvanized Steel, Bonderized, Galvalume®, Stainless Steel or Zinc
- Adjustable version of our Plaster Channel Screed that permits movement in a double stud condition. Can be vented for air flow.

