

CUSTOM FABRICATED METAL
WIRE CORNERS • EXTRUDED ALUMINUM

Stockton

PRODUCTS™



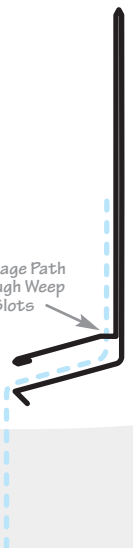
TRU-WEEP™

Drainage Mat Stucco Accessories

Maximize The Performance of Your Drainage Mat

- ✓ Single step accessory that provides a stucco ground, flashing leg and drainage all in one piece, saving time and labor while providing the “best practice” installation
- ✓ Fully customizable accessories for all types of drainage mat.
- ✓ Several different profiles to address the various conditions and maintain consistent drainage
- ✓ Complies with IBC 2021 drainage mat requirement for stucco systems

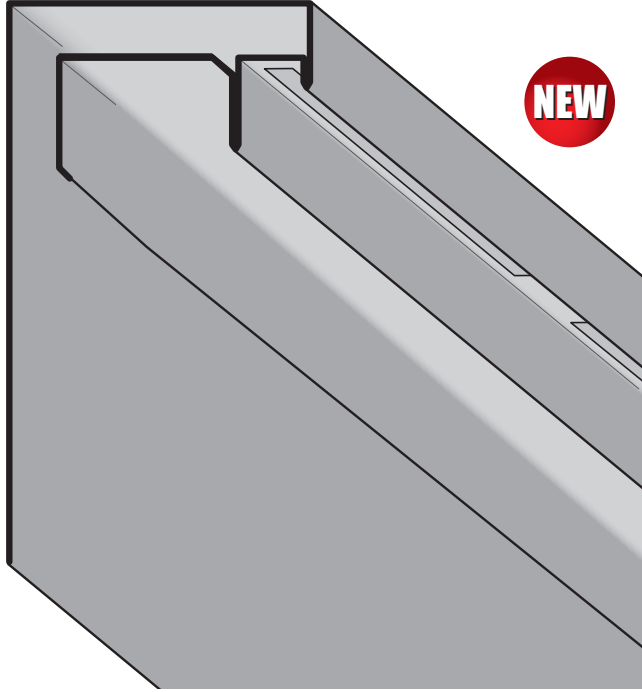
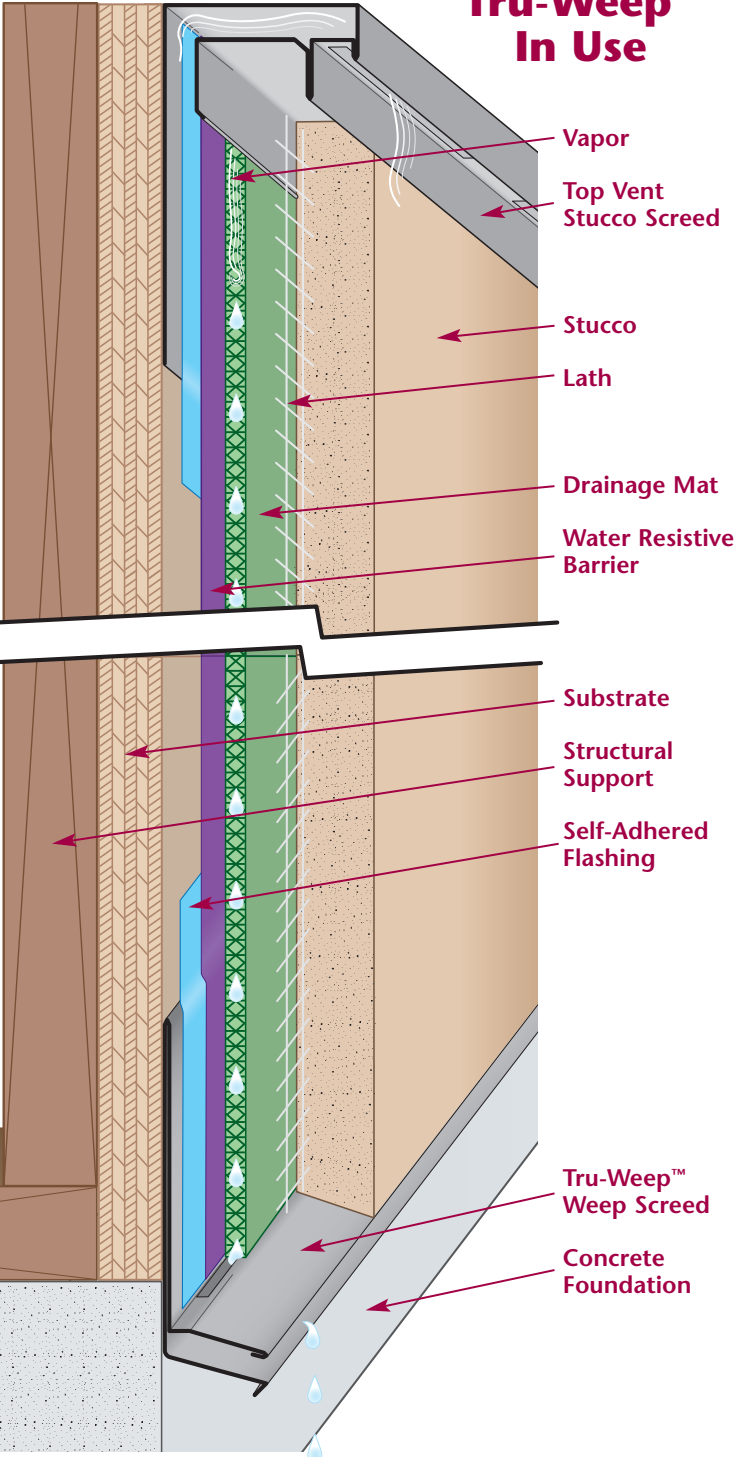
Drainage Path
Through Weep
Slots



877-862-5866 • StocktonProducts.com

**Stockton Products™ Now Has
The Perfect Way To Top Off
Your Drainage Mat Project!**

**Tru-Weep™
In Use**

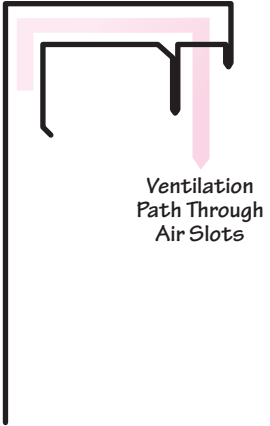


TVSS: Top Vent Stucco Screed

The Top Vent Stucco Screed is a single piece vented plaster stop specifically designed to be used with drainage mat to efficiently allow water vapor to escape through the concealed air slots.

The Top Vent Stucco Screed is fully customizable to be used with any ground size (stucco depth) or drainage mat thickness per IBC 2510.6.1

The Top Vent Stucco Screed is an ideal companion piece to use with Stockton's Tru-Weep™ line of stucco drainage mat accessories.



Tru-Weep™ Specifications

All the products in the Stockton Products™ Tru-Weep™ line meet the following specifications.

Materials And Finishes:

Details: stpro.us/MET

Aluminum, Copper, Galvanized Steel, Bonderized, Stainless Steel or Zinc

Manufacturing Location:

Made in the United States of America

ASTM Codes:

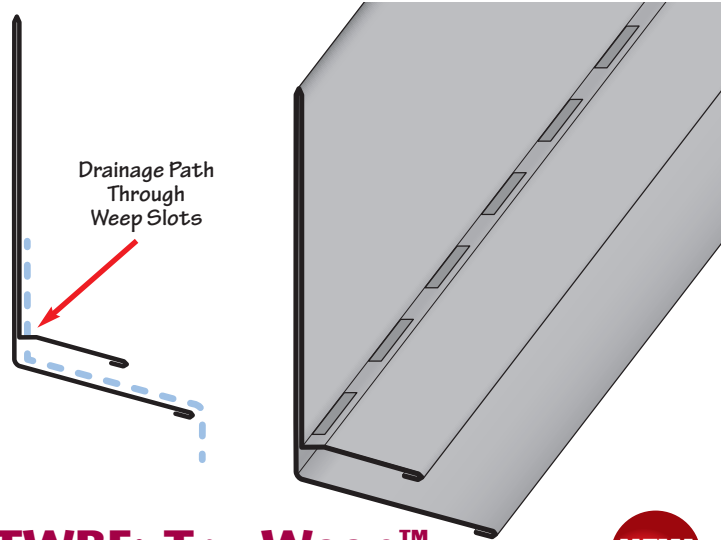
Details: stpro.us/ASTM

All Accessories are fabricated from prime galvanized steel G90 zinc coating by the hot dipped method, conforming to steel and coating specification ASTM A-653/A-653M or zinc alloy meeting ASTM B-69. Stainless Steel A480/A480M A580M (Stainless Steel) For installation and placement instructions refer to ASTM C1063, C841 and C926.



**Custom Sizes
Available For All
Tru-Weep™ Products!
Don't See Exactly
What You Want,
Just Ask.**

**Contact Stockton
Custom Fabrication
at (877) 786-2587**



TWBF: Tru-Weep™ Base Flashing

NEW

- Included 3/16 x 2" Weep Slots

The Tru-Weep™ Weep Base Flashing is a single piece counter flashing stucco weep screed specifically designed to be used with drainage mat transition points between dissimilar claddings. Weep slots are located along the back of the sloped leg in alignment with the drainage mat to allow water to efficiently exit the stucco assembly.

Tru-Weep™ Base Flashing is in compliance with 2021 IBC: 2510.6.1



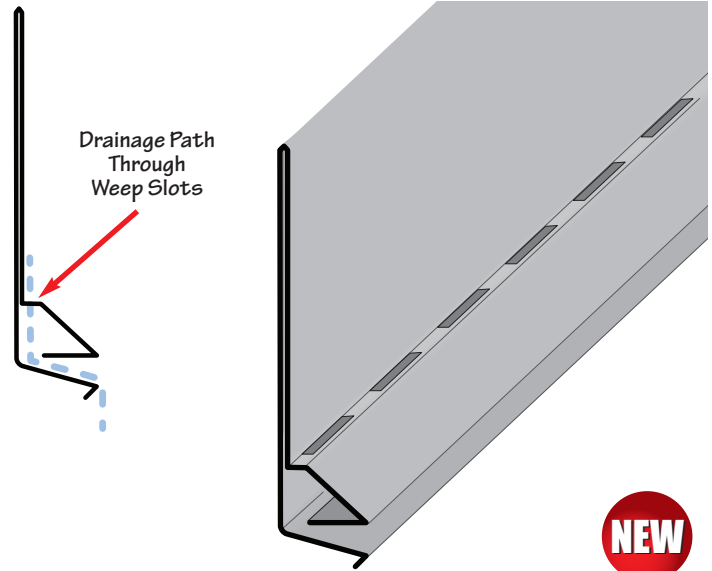
877-862-5866
www.StocktonProducts.com



NEW

TWCB: Tru-Weep™ Casing Bead

The Tru-Weep™ Casing Bead is a non-perforated customizable stucco casing bead. Whether the stucco assembly is utilizing a drainage mat, continuous insulation, or traditional 3-coat the Tru-Weep™ Casing Bead can be ordered in any ground size to accommodate the stucco assembly.

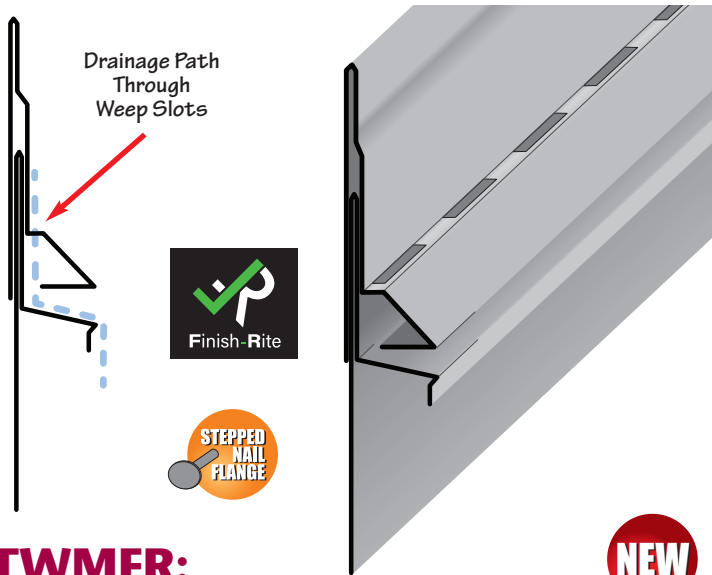


NEW

TWHJ: Tru-Weep™ #9 Horizontal Control Joint

- Included 3/16 x 2" Weep Slots

The Tru-Weep™ Horizontal Control Joint is a single piece horizontal control joint specifically designed to be used with drainage mat. Weep slots are located along the back of the sloped leg in alignment with the drainage mat to allow water to efficiently exit the stucco assembly.



TWMFR:
Tru-Weep™ Finish Rite®
M-Slide™ Expansion Joint

- Included 3/16 x 2" Weep Slots
- US Patent 7,673,421

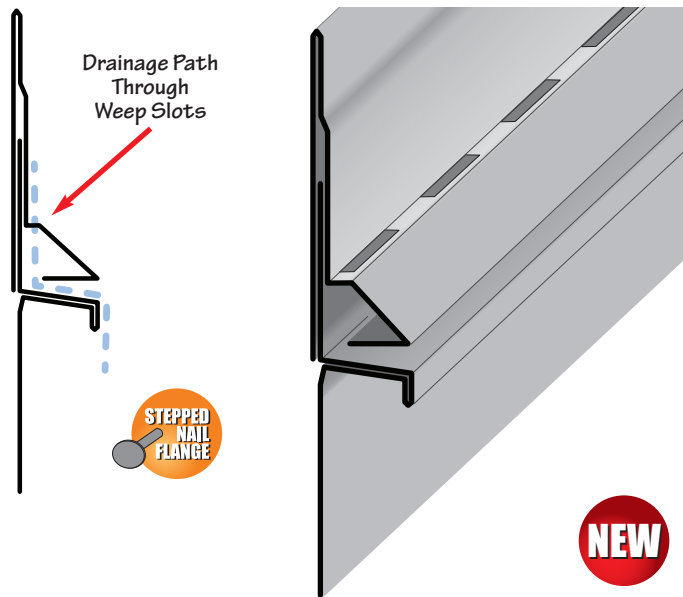
The Tru-Weep™ M-Slide™ Expansion Joint accessory is specifically designed to be used with drainage mat. Weep slots are located along the back of the sloped leg in alignment with the drainage mat to allow water to efficiently exit the stucco assembly.



TWMSC: Tru-Weep™
M-Slide™ Expansion Joint

- Included 3/16 x 2" Weep Slots
- US Patent 7,673,421

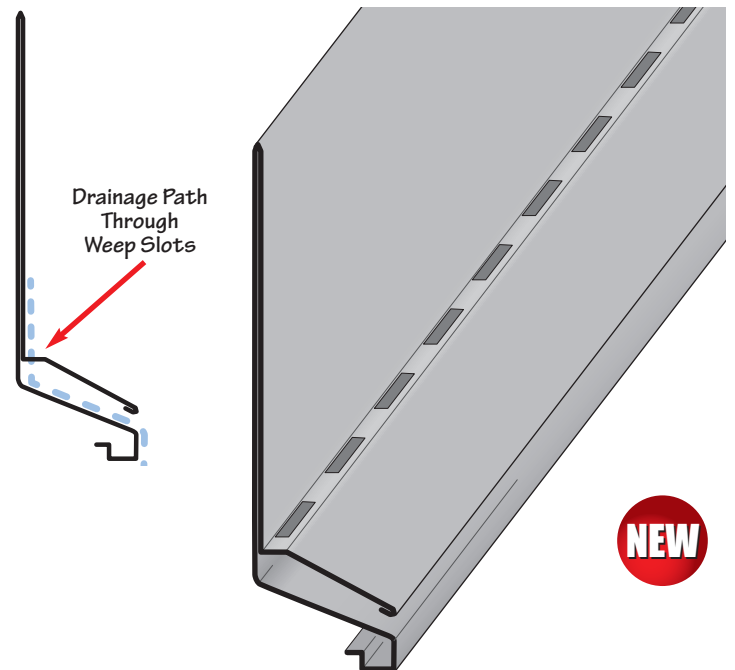
The Tru-Weep™ M-Slide™ Expansion Joint accessory is specifically designed to be used with drainage mat. Weep slots are located along the back of the sloped leg in alignment with the drainage mat to allow water to efficiently exit the stucco assembly.



TWMSX: Tru-Weep™
M-Slide™ Expansion Joint

- Included 3/16 x 2" Weep Slots
- US Patent 7,673,421

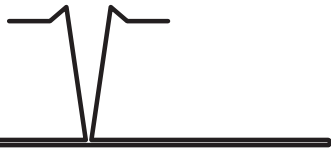
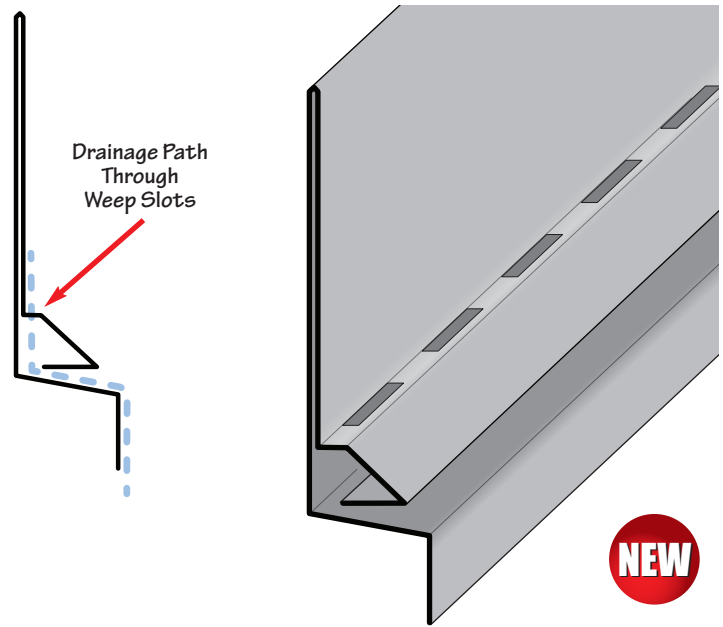
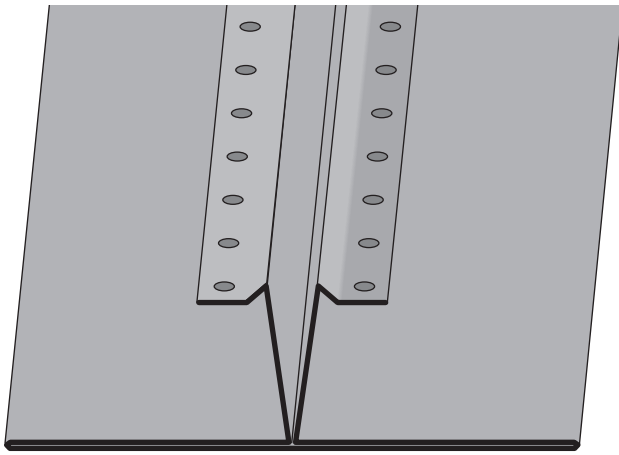
The Tru-Weep™ M-Slide™ Expansion Joint accessory is specifically designed to be used with drainage mat. Weep slots are located along the back of the sloped leg in alignment with the drainage mat to allow water to efficiently exit the stucco assembly.



TWSD: Tru-Weep™ Soffit Drip

- Included 3/16 x 2" Weep Slots

The Tru-Weep™ Soffit Drip is a customizable soffit drip edge specifically designed to be used with drain mat stucco assemblies. Weep slots are located along the back of the sloped leg in alignment with the drainage mat to allow water to efficiently exit the stucco assembly.



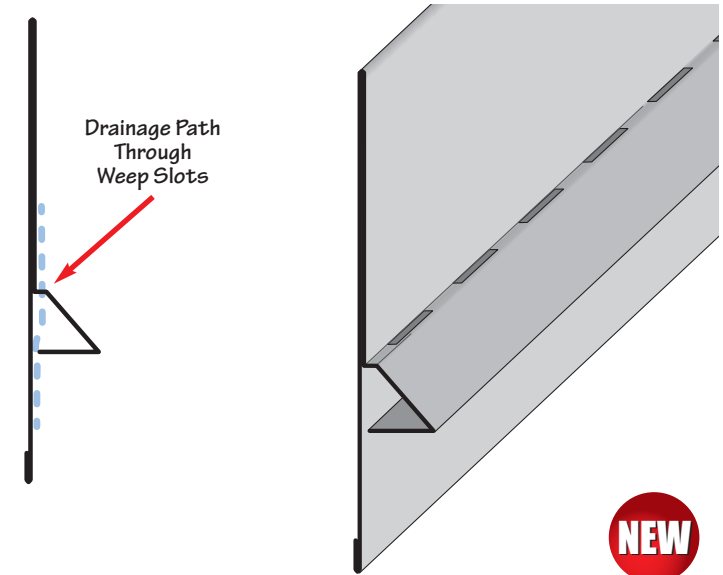
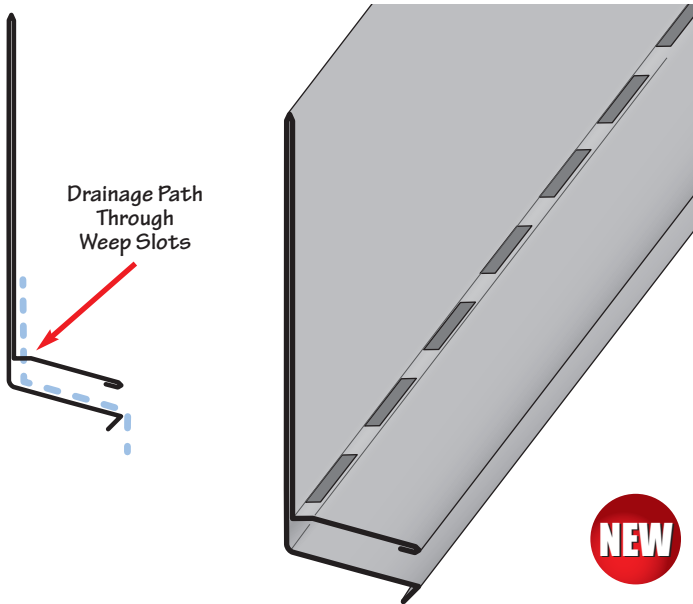
TWVJ: Tru-Weep™ Vertical Control Joint

The Tru-Weep™ Vertical Control Joint is a customizable vertical control joint specifically designed to be used with drainage mat stucco assemblies. Tru-Weep™ Vertical Control Joint is to be used with drainage mat stucco assemblies per 2021 IBC: 2510.6.1

TWWF: Tru-Weep™ Window Head Flashing

- Included 3/16 x 2" Weep Slots

The Tru-Weep™ Window Flashing is a single piece window head flashing weep specifically designed to be used with drainage mat. Weep slots are located along the back of the sloped leg in alignment with the drainage mat to allow water to efficiently exit the stucco assembly.



TWWT: Tru-Weep™ Weep Screenshot

- Included 3/16 x 2" Weep Slots

The Tru-Weep™ Weep Screenshot is a single piece counter flashing stucco weep screenshot specifically designed to be used with drainage mat. Weep slots are located along the back of the sloped leg in alignment with the drainage mat to allow water to efficiently exit the stucco assembly.

TWXLF: Tru-Weep™ XL Foundation Screenshot

- Water Tested per ASTM E1105
- Included 3/16 x 2" Weep Slots

Stucco installation guidelines require stucco to be held up off the hardscape 2". The TWXLF provides weep slots in line with the drainage mat to maximize the drainage and ventilation per 2021 IBC: 2510.6.1

The extended back flashing leg will protect balcony waterproofing membranes.



PRODUCTS™

Stockton Products™

#keepitcustom

Stockton Products™ offers a wide variety of products for the construction market. Including the industry's most complete line of quality welded wire corner products, an extensive variety of standard and custom metal products for ventilation, moisture management and decorative reveal, and a full line of standard and custom extruded aluminum products for stucco and drywall.

Wire Products

CornerAid® And Other Welded Wire Products For Stucco, Drywall & Fireproofing
Galvanized • Stainless Steel
Plastic Nose • Specialty Products

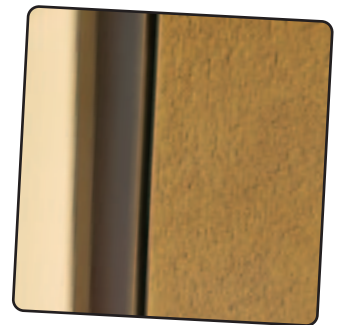
The originator of welded wire CornerAid®, Stockton continues to provide the lath & plaster professional with quality wire products for a variety of applications.



Metal Products

Roll And Brake Formed Metal Plaster Stops, Expansion Joints And Control Joints
Copper • Galvanized • Bonderized • Galvalume®
Zinc • Stainless Steel • Aluminum

Decorative accessories for plaster, drywall, moisture protection, ventilation and other applications. Radius curves, corners and custom fabrication.



Extruded Products

Standard & Custom Reveal Moldings For Stucco, Drywall & Fiber Cement Board
Clear Anodized • Alodine/Chem-Film
Powder Coat • Kynar Paint • Color Anodized

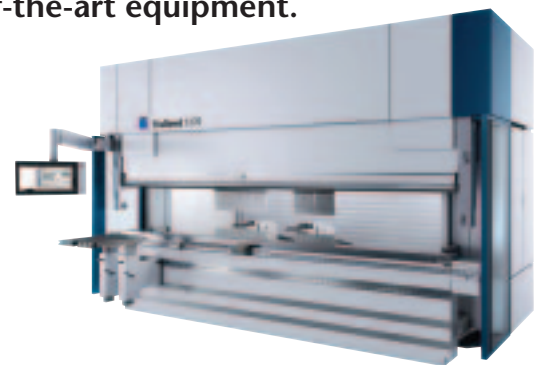
Complete line of extruded aluminum trims for stucco, drywall and fiber cement panels. Custom shapes, curving and special fabrication available.



Custom Fabrication

Stockton Products™ has made some exciting changes. In order to expand our metal forming capabilities, we've made a significant investment in state-of-the-art equipment.

Our new capacity permits us to greatly expand our product line and market reach and give us the ability to offer all types of custom fabricated.



www.StocktonProducts.com

877-862-5866