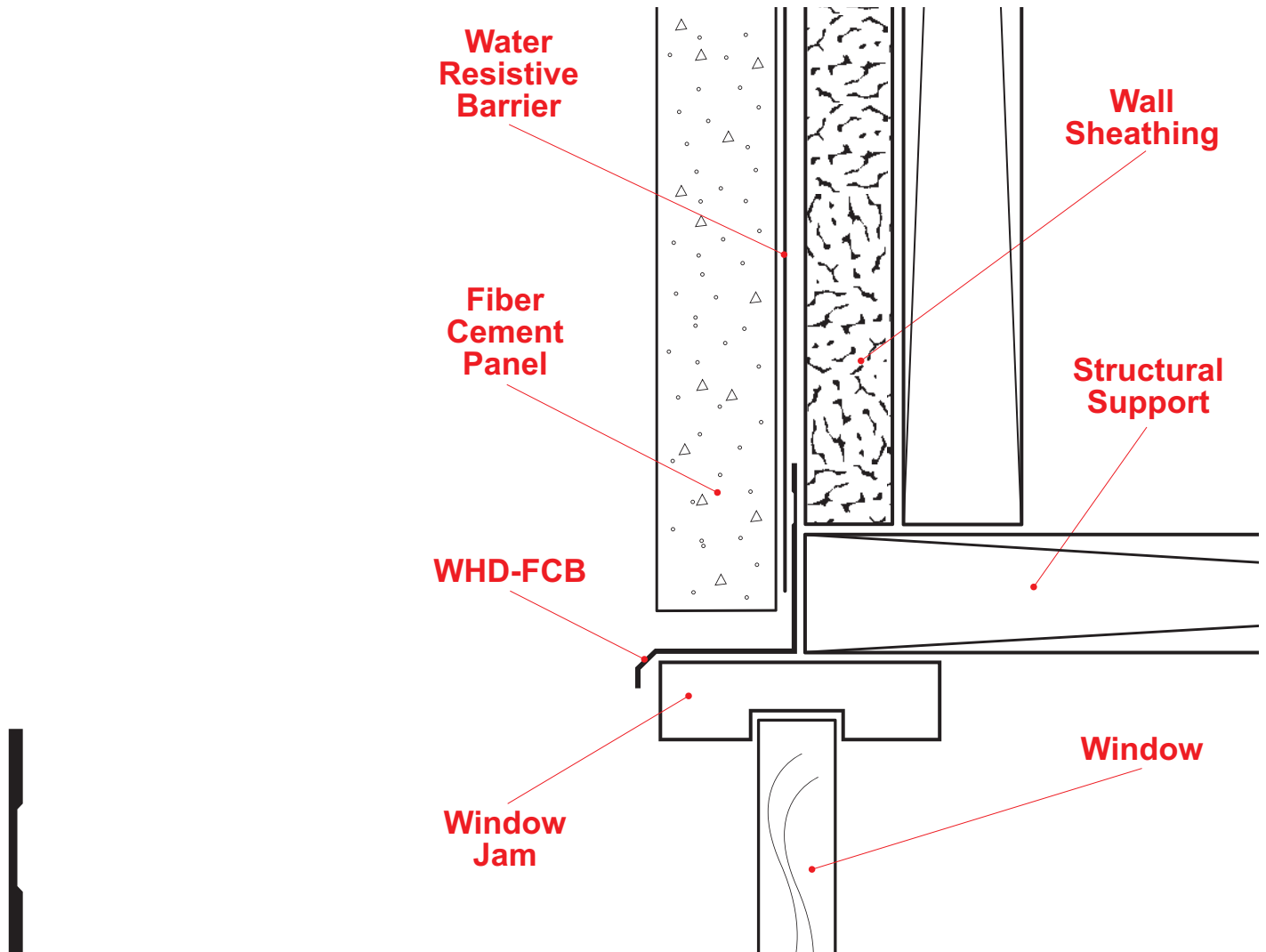


WHD-FCP: Window Head Drip for Fiber Cement Panel



A multi-use drip molding that can be used at window and door heads, as well as at the foundation.

Note: This drawing is supplied solely to assist in the selection and application of product manufactured by Stockton Products. This drawing is generic in nature and should not be used in design or construction without an independent evaluation by a qualified Architect or Engineer of Record.

©2023 Stockton Products. All rights reserved worldwide. Product illustrations are for reference only. Rev 100123
CALIFORNIA RESIDENTS: Please review our Prop 65 statement at stpro.us/P65 or visit www.P65Warnings.ca.gov