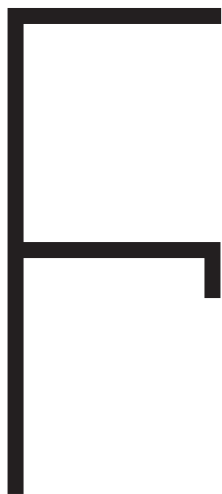
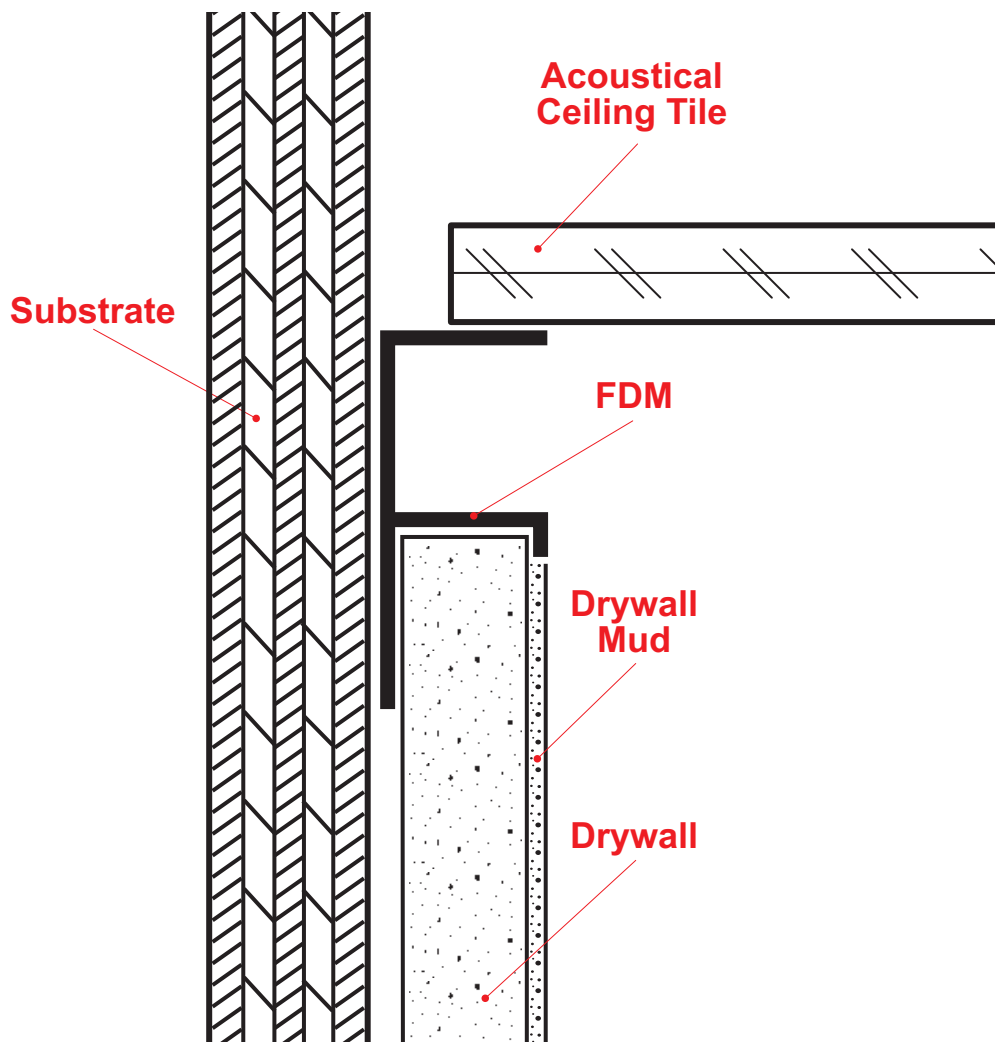


## FDM: F Drywall Molding



A drywall stop/control screed for drywall, used at the top or base of columns, the top of walls at the ceiling, or at the base to create a reveal. Also used at the top of windows to permit the continuation of a horizontal reveal at the window line.

**Note:** This drawing is supplied solely to assist in the selection and application of product manufactured by Stockton Products. This drawing is generic in nature and should not be used in design or construction without an independent evaluation by a qualified Architect or Engineer of Record.

©2023 Stockton Products. All rights reserved worldwide. Product illustrations are for reference only. Rev 100123  
CALIFORNIA RESIDENTS: Please review our Prop 65 statement at [stpro.us/P65](http://stpro.us/P65) or visit [www.P65Warnings.ca.gov](http://www.P65Warnings.ca.gov)