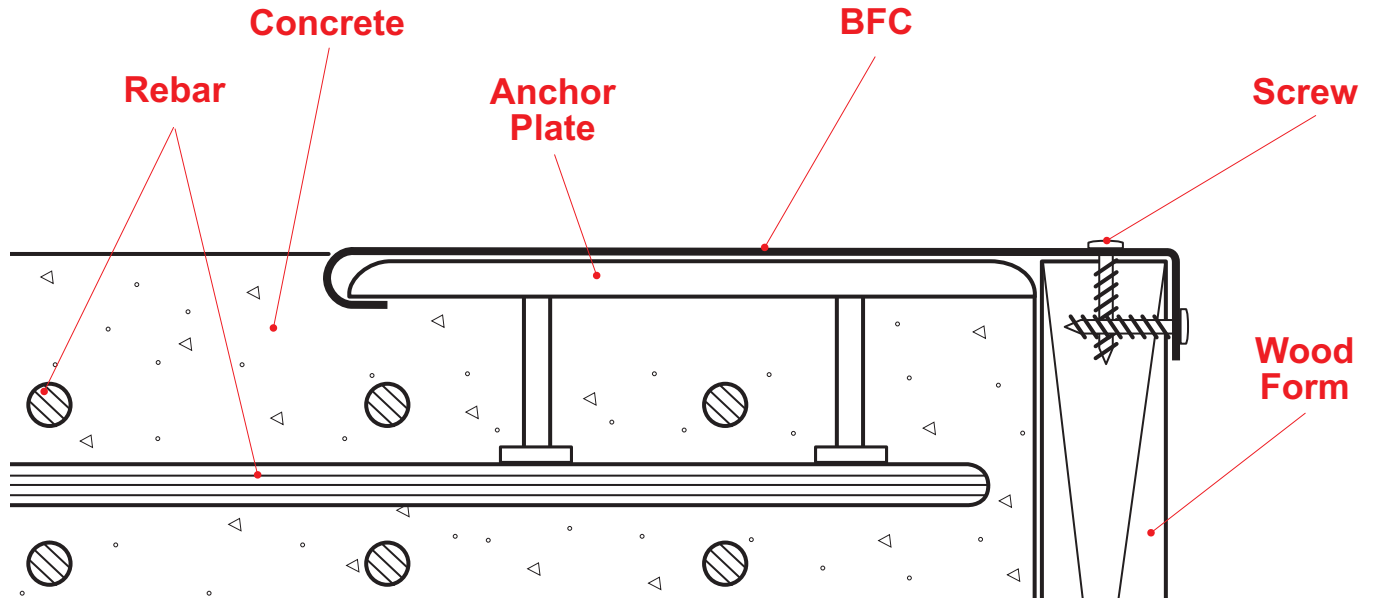


BFC: Breakaway Form Clip

US Patent 11,035,115



The Breakaway Form Clip is designed to be temporarily mounted to the wood form of your concrete pad project to hold the anchor plate squarely in place. Once the concrete is cured, simply remove the fastening nails or screws and lift up the Breakaway Form Clip and it will snap off leaving you with a nice flat anchor plate. With the optional slots you can also use Breakaway Form Clip with protruding anchor bolts.

Note: This drawing is supplied solely to assist in the selection and application of product manufactured by Stockton Products. This drawing is generic in nature and should not be used in design or construction without an independent evaluation by a qualified Architect or Engineer of Record.