



CUSTOM SIZES AVAILABLE!

Stockton Custom Fabrication

877-786-2587

custom@StocktonProducts.com

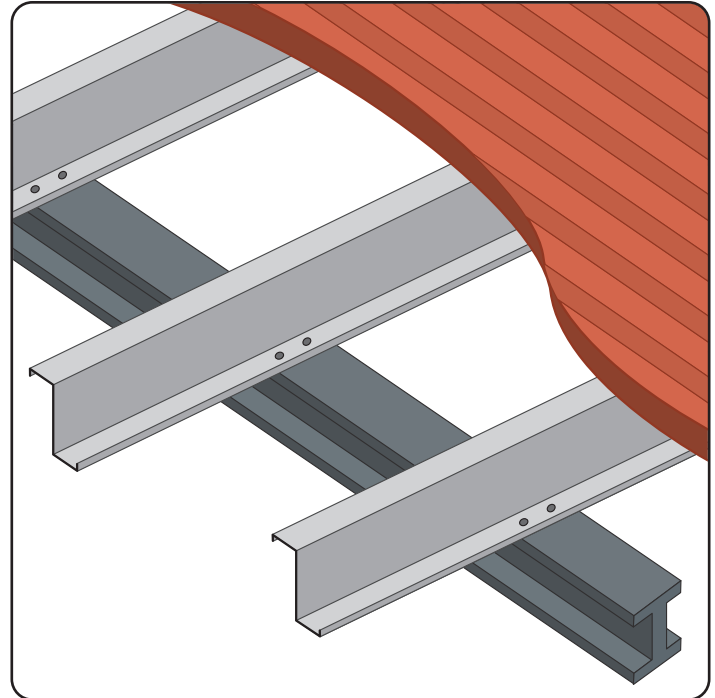


PRODUCTS™

Z-P: Custom Z-Purlin

- Custom Sizes Available, Contact Customer Service For Details
- Available in Galvanized Steel (GS)

Z-Purlin typically refers to roof framing members that span parallel to the building eave and support the roof decking or sheeting. The Z-Purlins are supported by the roofs cross beams or walls.

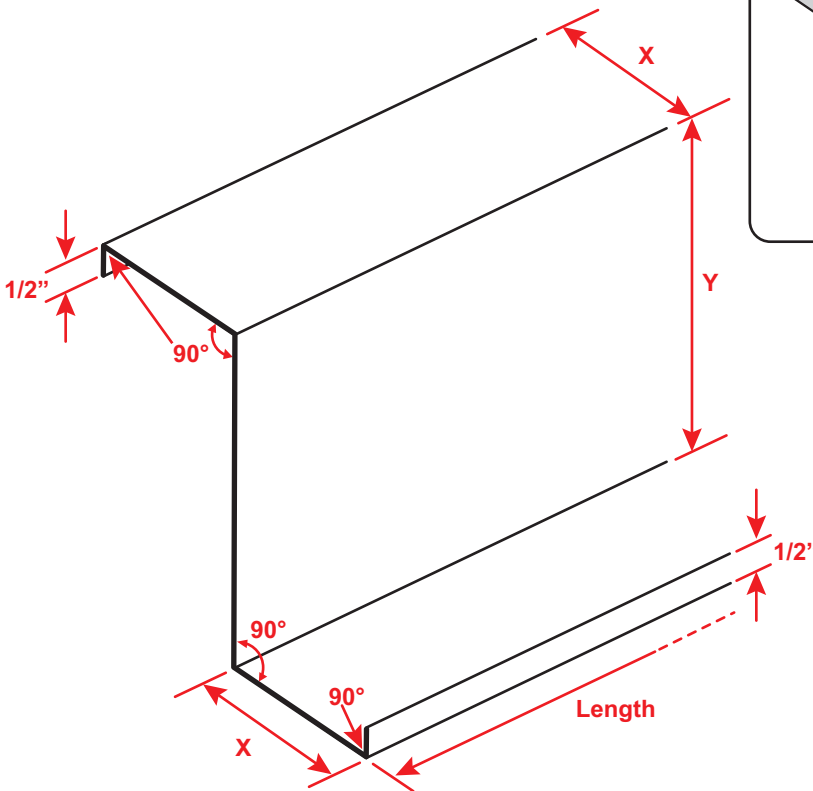


Most Common Sizes

X Sizes: User Defined

Y Sizes: User Defined

Length: User Defined



Materials And Finishes:

Details: stpro.us/MET

Galvanized Steel (GS)

ASTM Codes:

Details: stpro.us/ASTM

A1003, A653, A924, C645, C754, C955

QUOTE	Company: _____	QTY: _____	PO Number: _____
	Name: _____	Material/Gauge: _____	Job/Project: _____
	Address: _____	X Size: _____	Notes: _____
	City: _____	Y Size: _____	_____
	State/ZIP: _____	Length: _____	_____
	Phone: _____		_____
	eMail: _____		_____

877-786-2587 • StocktonProducts.com

