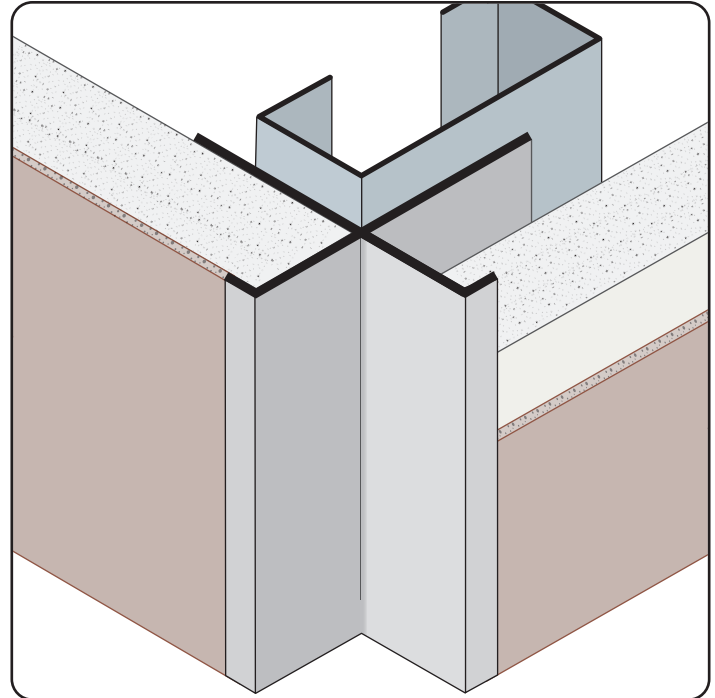


XDM: X Drywall Corner Molding

- Available Curved Upon Request
 - Available in Aluminum Alloy (6063 T-5)
- A drywall version of the "X" corner molding that creates a unique "inverse" corner look.



Most Common Sizes

- X Sizes:** 1/2" or 5/8"
- Y Sizes:** 1/2" or 5/8"
- Length:** 10'



Materials And Finishes:

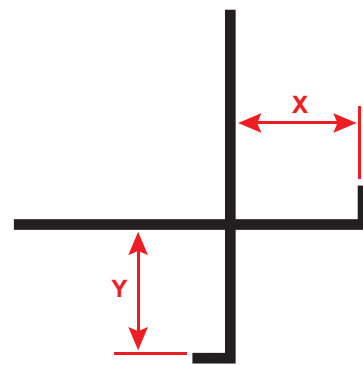
Details: stpro.us/EXT
Aluminum Alloy (6063 T-5)

ASTM Codes:

Details: stpro.us/ASTM
AA-M32-C10A21, AAMA 605.2, C841, C1047, C1063,
B136-84, B244-97, D4214-98, ND1730-67-TYPE B

Most Common Part Numbers:

- XDM50 50E** XDM: X=1/2, Y=1/2, Mill Finish, A, 10'
- XDM50 50EC** XDM: X=1/2, Y=1/2, Clear Anodize, A, 10'



QUOTE	Company: _____	QTY: _____	PO Number: _____
	Name: _____	Material: Aluminum Alloy (6063 T-5)	Job/Project: _____
	Address: _____	X Size: _____	Notes: _____
	City: _____	Y Size: _____	_____
	State/ZIP: _____	Length: _____	_____
	Phone: _____		_____
	eMail: _____		_____

877-786-2587 • StocktonProducts.com

