



CUSTOM SIZES AVAILABLE!

Stockton Custom Fabrication

877-786-2587

custom@StocktonProducts.com

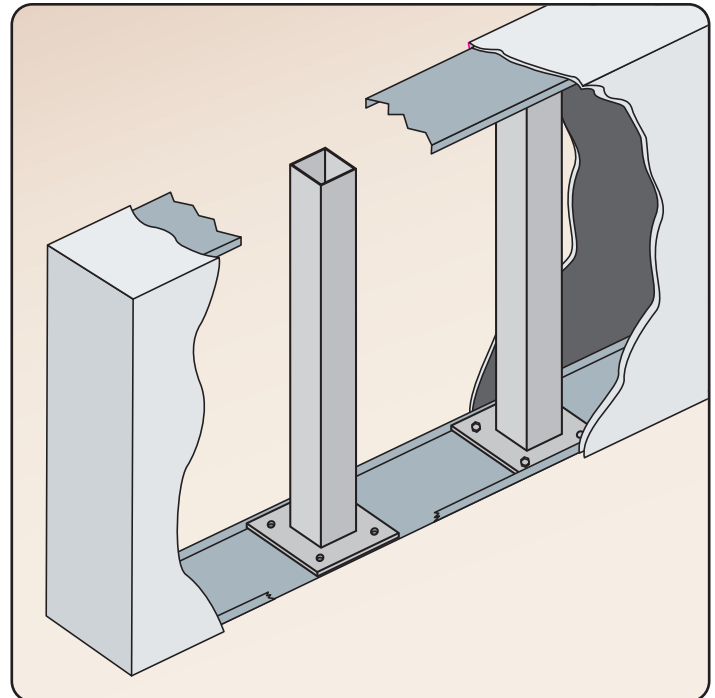


PRODUCTS™

WPX-S: Wall Post (Square Base)

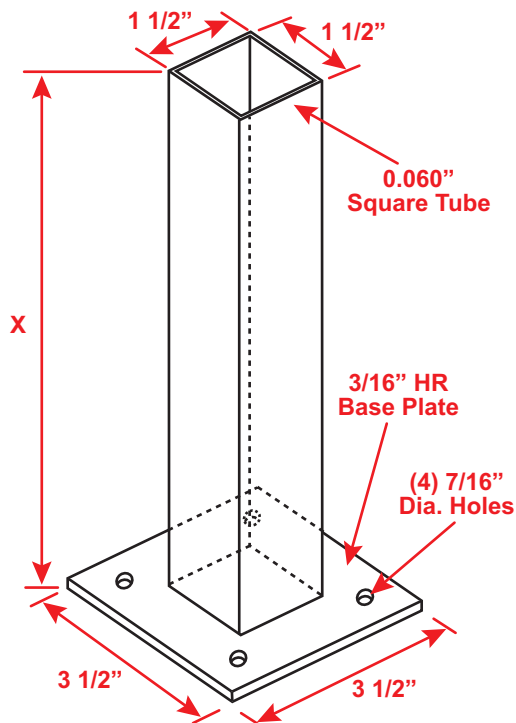
- Custom Sizes Available, Contact Customer Service For Details
- 3 1/2" Square Base (3/16" HR Base Plate)
- Includes Four 7/16" Dia. Holes
- Available in 36", 48" And 60" Height
- 3/16" Hot Roll Steel Standard

Wall post are used in pony walls (half walls). The wall post is mounted to a guide track or directly to the floor structure. Which add strength and rigidity to the short 3 1/2" square base wall post would be used in 3 5/8" pony walls.



Most Common Sizes

X Sizes: 36", 48" or 60"



Materials And Finishes:

Details: stpro.us/MET

Hot Roll (HR)

ASTM Codes:

Details: stpro.us/ASTM

A1003, A653, A924, C645, C754, C955

Most Common Part Numbers:

WPX S36 WPX-S: X=36, HR

WPX S48 WPX-S: X=48, HR

WPX S60 WPX-S: X=60, HR

QUOTE

Company: _____
 Name: _____
 Address: _____
 City: _____
 State/ZIP: _____
 Phone: _____
 eMail: _____

QTY: _____
 Material/Gauge: _____
 X Size: _____

PO Number: _____
 Job/Project: _____
 Notes: _____

877-786-2587 • StocktonProducts.com

