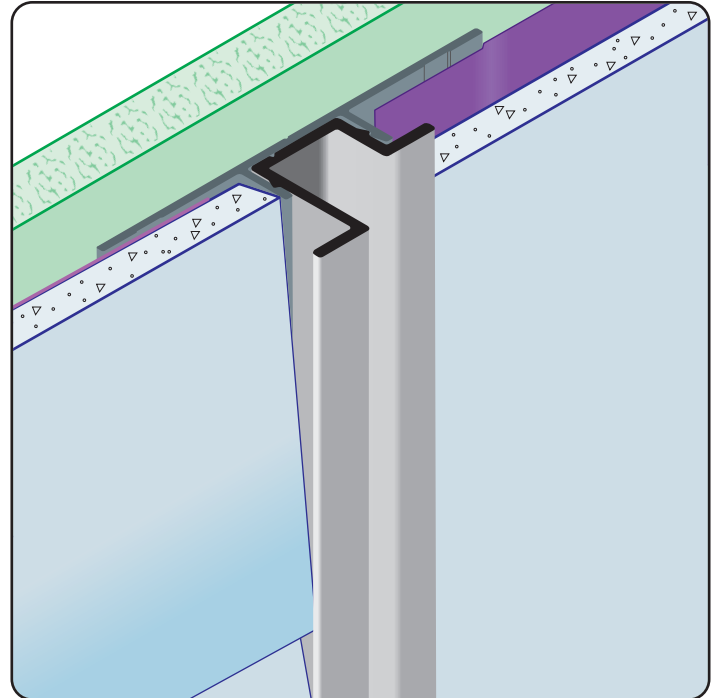


VO-FCP: Vertical Offset Insert for Fiber Cement Panel

- Available in Aluminum Alloy (6063 T-5)
- The VO-FCP Vertical Offset Insert creates an attractive 1/2" architectural reveal when used in conjunction with the VR-FCP Vertical Retainer (sold separately). This is an excellent molding for the transition from a single layer of fiber cement panels to overlapping siding.
- Note:** Attach panel per manufacturer's recommended installation instructions.
- Note:** Not to be used in horizontal applications.



Most Common Sizes

Length: 10'

Materials And Finishes:

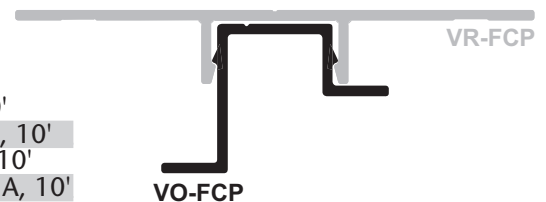
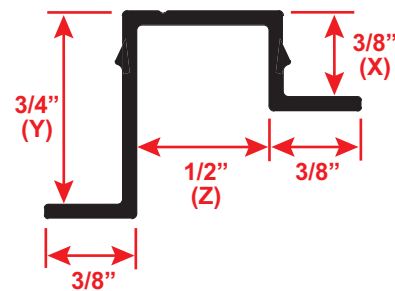
Details: stpro.us/EXT
Aluminum Alloy (6063 T-5)

ASTM Codes:

Details: stpro.us/ASTM
AA-M32-C10A21, AAMA 605.2, C841, C1047, C1063,
B136-84, B244-97, D4214-98, ND1730-67-TYPE B
Aluminum Alloy (6063 T-5)

Most Common Part Numbers:

VO FCP375 75 50E	VO-FCP: X=3/8, Y=3/4, Z=1/2, Mill Finish, A, 10'
VO FCP375 75 50EC	VO-FCP: X=3/8, Y=3/4, Z=1/2, Clear Anodize, A, 10'
VO FCP375 75 50EDB	VO-FCP: X=3/8, Y=3/4, Z=1/2, Dark Bronze, A, 10'
VO FCP375 75 50SEP	VO-FCP: X=3/8, Y=3/4, Z=1/2, Powder Coated, A, 10'



QUOTE	Company: _____	QTY: _____	PO Number: _____
	Name: _____	Material: Aluminum Alloy (6063 T-5)	Job/Project: _____
	Address: _____	Length: _____	Notes: _____
	City: _____		_____
	State/ZIP: _____		_____
	Phone: _____		_____
	eMail: _____		_____

877-786-2587 • StocktonProducts.com

