

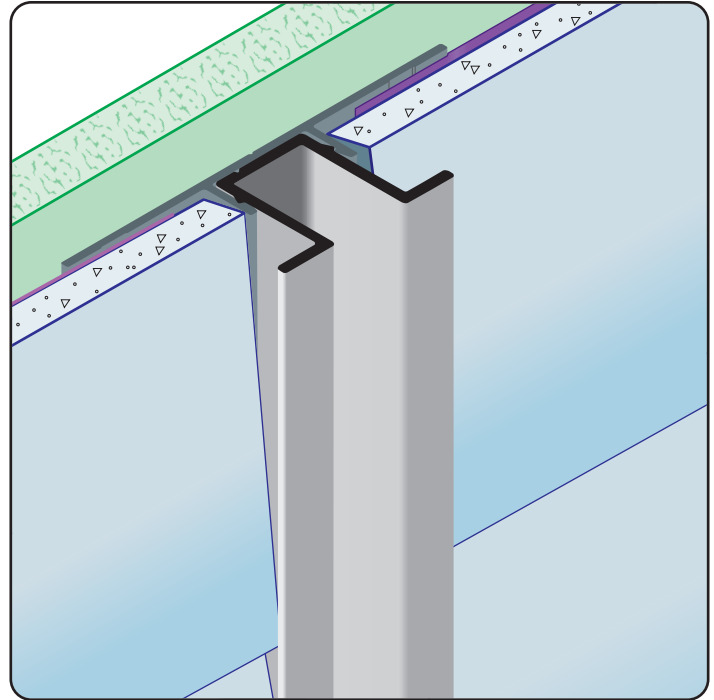
VLI-FCP: Vertical Lap Insert for Fiber Cement Panel

- Available in Aluminum Alloy (6063 T-5)

The VLI-FCP Vertical Lap Insert creates an architectural 1/2" reveal when used with the VR-FCP Vertical Retainer (sold separately).

Note: Attach panel per manufacturer's recommended installation instructions.

Note: Not to be used in horizontal applications.



Most Common Sizes

Length: 10'

Materials And Finishes:

Details: stpro.us/EXT

Aluminum Alloy (6063 T-5)

ASTM Codes:

Details: stpro.us/ASTM

AA-M32-C10A21, AAMA 605.2, C841, C1047, C1063, B136-84, B244-97, D4214-98, ND1730-67-TYPE B

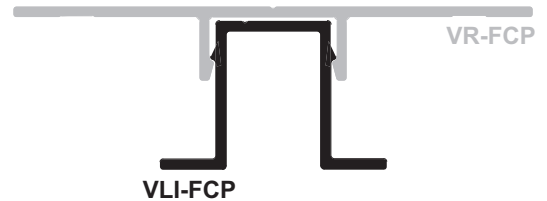
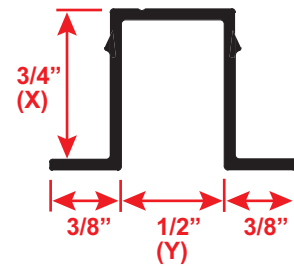
Most Common Part Numbers:

VLI FCP375 50EC VLI-FCP: X=3/8, Y=1/2, Clear Anod, A, 10'

VLI FCP375 50 VLI-FCP: X=3/8, Y=1/2, A, 10'

VLI FCP375 50EK VLI-FCP: X=3/8, Y=1/2, Fluorophore Paint, AL, 10'

VLI FCP375 50ES VLI-FCP: X=3/8, Y=1/2, Stripped Finish, A, 10'



| | | | |
|--------------|------------------|-------------------------------------|--------------------|
| QUOTE | Company: _____ | QTY: _____ | PO Number: _____ |
| | Name: _____ | Material: Aluminum Alloy (6063 T-5) | Job/Project: _____ |
| | Address: _____ | Length: _____ | Notes: _____ |
| | City: _____ | | _____ |
| | State/ZIP: _____ | | _____ |
| | Phone: _____ | | _____ |
| | eMail: _____ | | _____ |

877-786-2587 • StocktonProducts.com

