



CUSTOM SIZES AVAILABLE!

Stockton Custom Fabrication

877-786-2587

custom@StocktonProducts.com

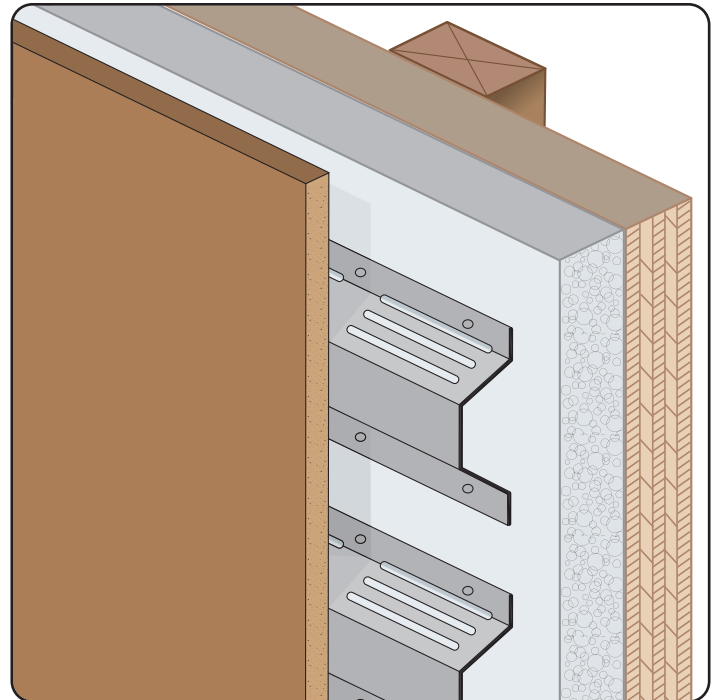


PRODUCTS™

VHC: Vented Hat Channel

- Custom Sizes Available, Contact Customer Service For Details
- Available in Aluminum (A), Copper (C), Galvanized Steel (GS), Bonderized (BN), Galvalume® (GVM), Stainless Steel (SS) or Zinc (Z)

The Vented Hat Channel is designed to provide spacing between insulation and the exterior cladding. This space allows for both ventilation and moisture drainage.



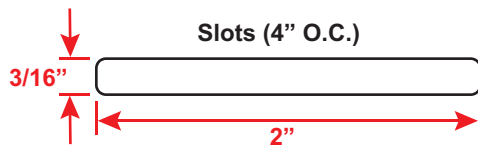
Most Common Sizes

X Sizes: User Defined

Y Sizes: User Defined

Z Sizes: User Defined

Length: 120" or 144"



Materials And Finishes:

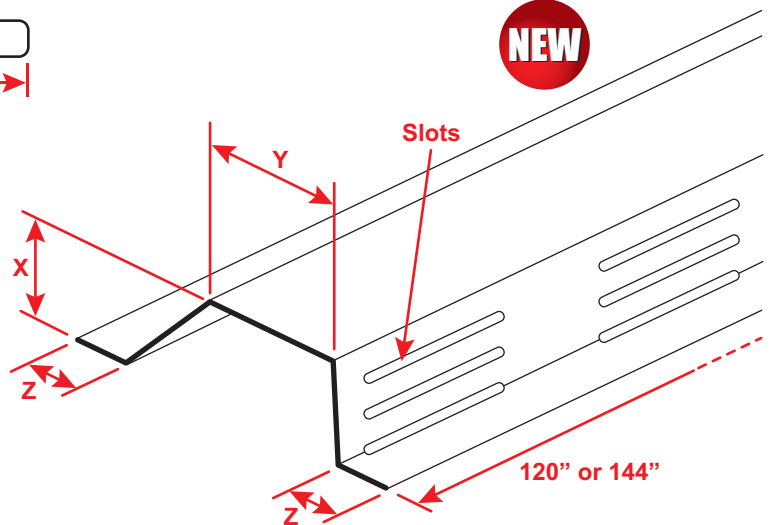
Details: stpro.us/MET

Aluminum (A), Copper (C), Galvanized Steel (GS), Bonderized (BN), Galvalume® (GVM), Stainless Steel (SS) or Zinc (Z)

ASTM Codes:

Details: stpro.us/ASTM

A1003, A653, A924, C645, C754, C955



QUOTE

Company: _____

Name: _____

Address: _____

City: _____

State/ZIP: _____

Phone: _____

eMail: _____

QTY: _____

Material/Gauge: _____

X Size: _____

Y Size: _____

Z Size: _____

Length: _____

PO Number: _____

Job/Project: _____

Notes: _____

877-786-2587 • StocktonProducts.com

